



TOGGLE PLIERS AND CLIP CLAMPS

- **Features:**

Toggle pliers, unlike 'G' or sash clamps, can have their clamping position pre-set for quick, repetitious clamping. The range of jaw openings and depths allow clamping over obstacles such as flanges, and the central release lever ensures easy opening.

Clip clamps are closed by means of a torsion spring and can clamp any thickness of material up to a maximum shown without having to be pre-set.

- **Specification:**

Toggle pliers models P0, P1A, P1B, P3A, P3B, P4 and P4B have jaws and handles made from machined alloy steel forgings and are finished zinc plated and passivated.

Models P1 and P3 have jaws and one handle made from machined alloy steel forgings, the other handle being a steel pressing. These two pliers have a black painted finish to the forgings, the pressed parts being finished chemi blacked.

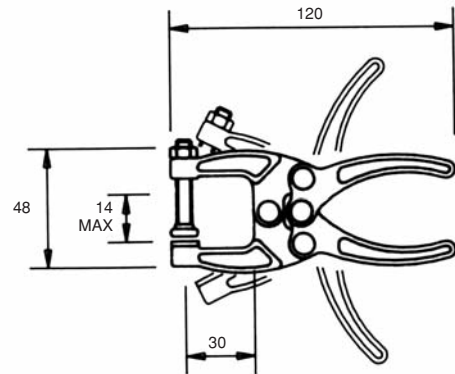
TOGGLE PLIERS AND CLIP CLAMPS

TOGGLE PLIERS MODEL P0



Spindle:
Plastic coated tip.
Nominal Holding Force:
150 daN
Weight:
0.10 Kg

150 daN ↑
100 daN ↓
100 daN ↓
150 daN ↑



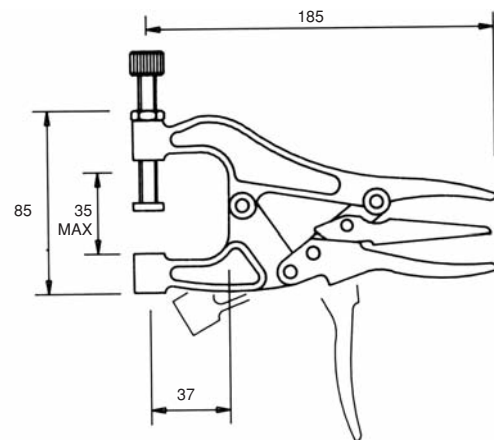
20 daN ↓
20 daN ↑

TOGGLE PLIERS MODEL P1



Spindle:
Steel copper plated.
Nominal Holding Force:
550 daN
Weight:
0.55 Kg

550 daN ↑
330 daN ↓
330 daN ↓
550 daN ↑



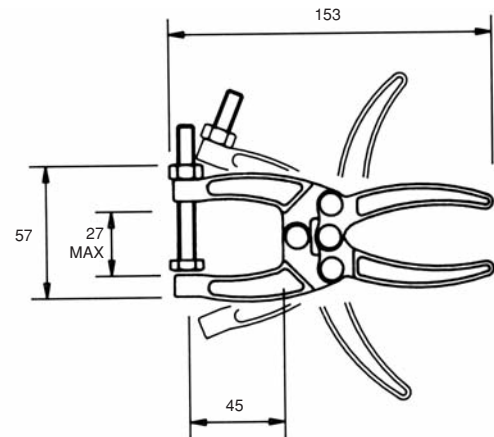
20 daN ↓
20 daN ↑

TOGGLE PLIERS MODEL P1A



Spindle:
Steel zinc plated.
Nominal Holding Force:
180 daN
Weight:
0.20 Kg

180 daN ↑
100 daN ↓
100 daN ↓
180 daN ↑



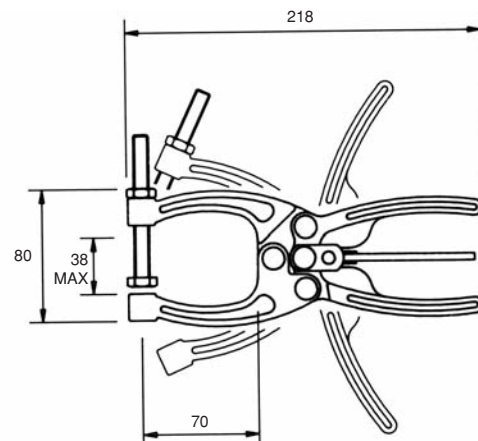
20 daN ↓
20 daN ↑

TOGGLE PLIERS MODEL P1B



Spindle:
Steel zinc plated.
Nominal Holding Force:
200 daN
Weight:
0.60 Kg

200 daN ↑
125 daN ↓
125 daN ↓
200 daN ↑



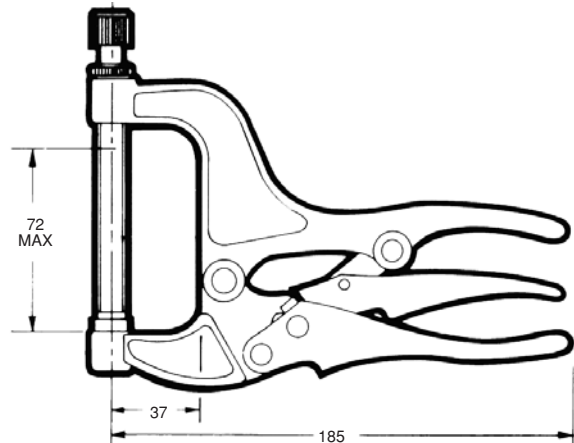
25 daN ↓
25 daN ↑

TOGGLE PLIERS AND CLIP CLAMPS

TOGGLE PLIERS MODEL P2



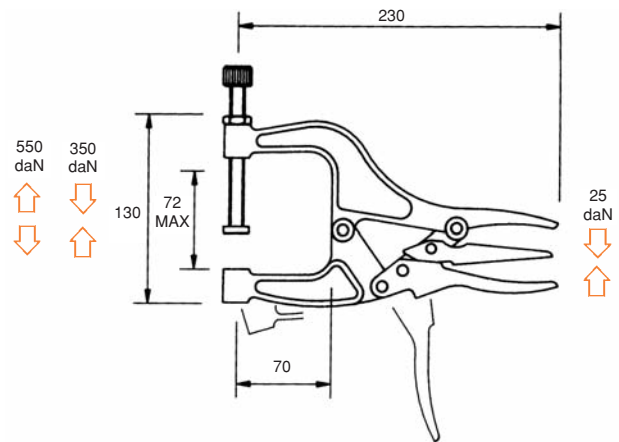
Spindle:
Steel copper plated.
Nominal Holding Force:
1000 daN
Weight:
0.65 kg



TOGGLE PLIERS MODEL P3



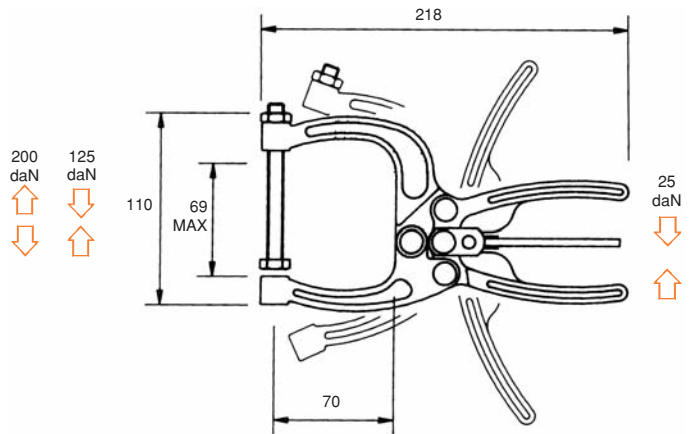
Spindle:
Steel copper plated.
Nominal Holding Force:
550 daN
Weight:
0.80 Kg



TOGGLE PLIERS MODEL P3A



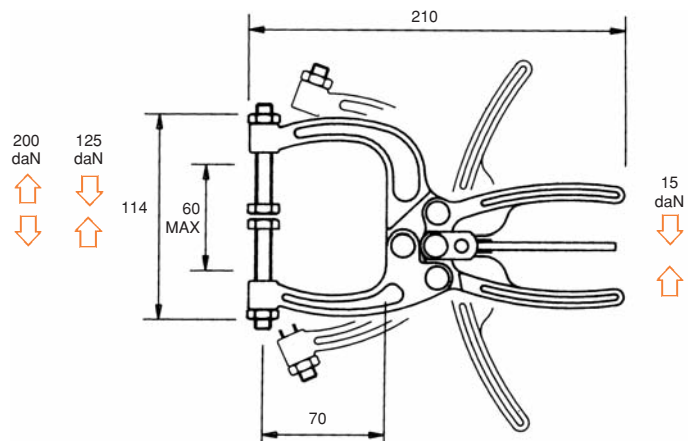
Spindle:
Steel zinc plated.
Nominal Holding Force:
200 daN
Weight:
0.65 Kg



TOGGLE PLIERS MODEL P3B



Spindles:
Steel zinc plated.
Nominal Holding Force:
200 daN
Weight:
0.70 Kg



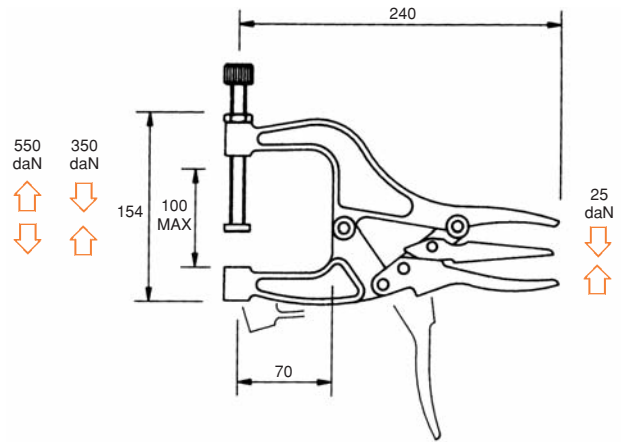
TOGGLE PLIERS AND CLIP CLAMPS

TOGGLE PLIERS

MODEL P4



Spindle:
Steel zinc plated.
Nominal Holding Force:
200 daN
Weight:
0.75 Kg

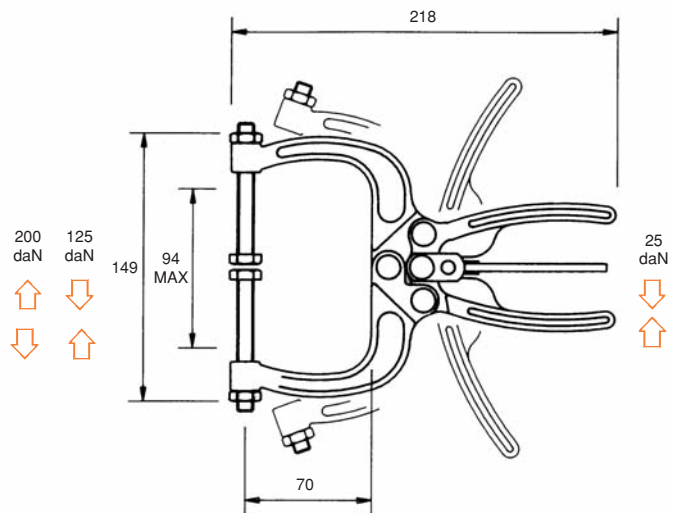


TOGGLE PLIERS

MODEL P4B



Spindles:
Steel zinc plated.
Nominal Holding Force:
200 daN
Weight:
0.75 Kg



CLAMPS WITH COPPER PLATED THREAD SHIELD

MODELS P1C / P2C / P3C / P4C



1. specially designed thread shield.
2. copper plated to protect from weld spatter.

For dimensions and nominal holding forces see standard models above, except all spindle gaps reduce by 5mm.

TOGGLE PLIERS AND CLIP CLAMPS

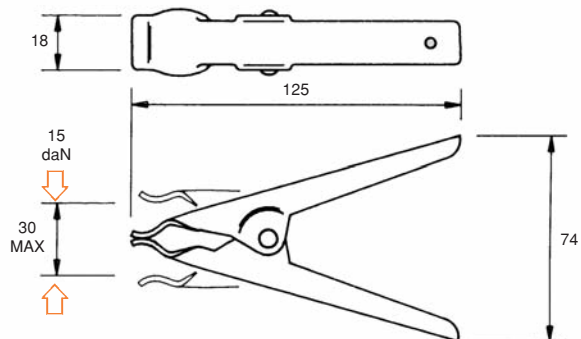
CLIP CLAMPS

MODEL CC510



Gripping Force:
6 daN closed.
15 daN open.
Weight:
0.09 Kg

6 daN
↓
↑



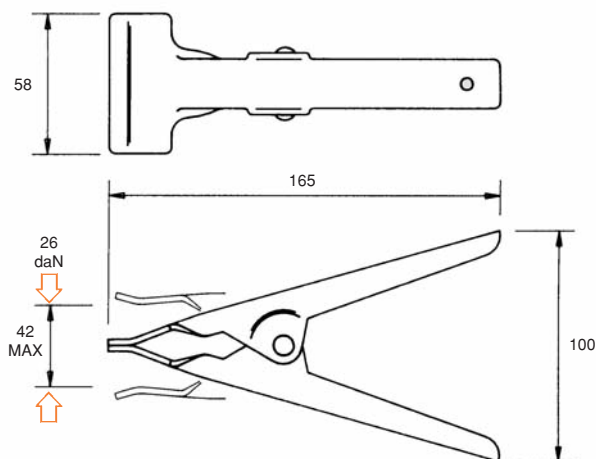
CLIP CLAMPS

MODEL CC610



Gripping Force:
15 daN closed.
26 daN open.
Weight:
0.29 Kg

15 daN
↓
↑



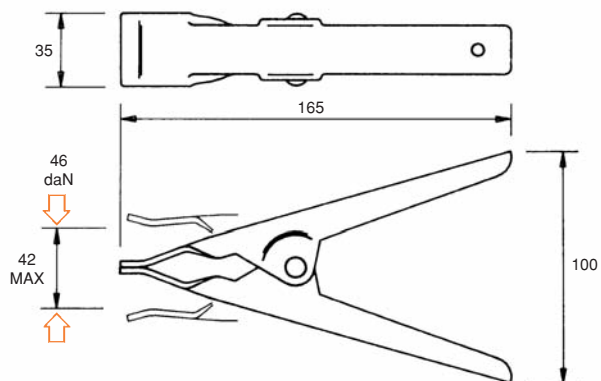
CLIP CLAMPS

MODEL CC701



Gripping Force:
25 daN closed.
46 daN open.
Weight:
0.27 Kg

25 daN
↓
↑



CLAMPING PRODUCTS