



SWING CLAMPS, SWING CLAMP ASSEMBLIES AND HEAVY-DUTY HOOK CLAMPS

- **Features:**

High clamping forces are generated by tightening the socket head bolt making these clamps suitable for applications where secure clamping is required, such as in heavy machining operations, the clamping of heavy moulds, or the holding of lids on vessels, etc,

On release, the clamping arm tends to swing open through 90 degrees automatically, but sometimes requires opening by hand, leaving the clamp arm clear for unloading.

The 1015 series comprises the clamping arm and return spring, the user providing a mounting hole to the dimensions shown in the catalogue. The 1016 series comprises complete assemblies of clamping arm, clamping bolt, return spring and housing, ready for bolting to a fixture.

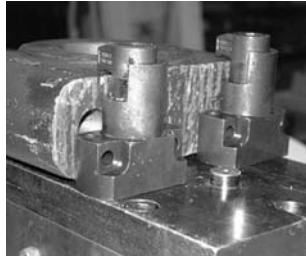
- **Specification:**

The 1015 clamping arm and, the 1016 assembly, are heat treated alloy steel precision castings machined to tight tolerances to ensure a positive and smooth action. All parts except the return spring are finished chemi-black.

SWING CLAMP ASSEMBLIES

SWING CLAMP ASSEMBLIES

MODEL 1016-08



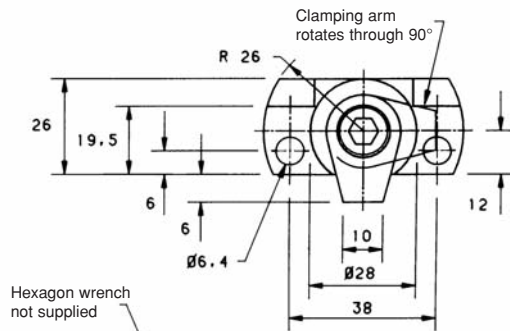
- Base or Front Mounted.
- Manually turned.
- Tightened & released by hexagonal key.
- Spring return.

Nominal Holding Force:

1800 daN

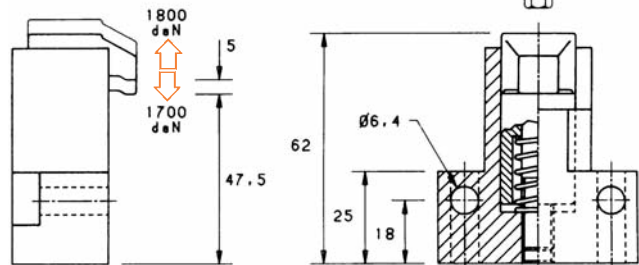
Weight:

0.33 Kg



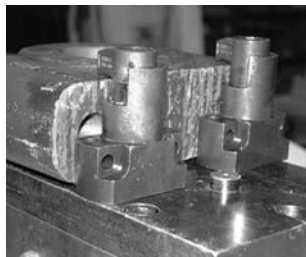
Hexagon wrench not supplied

30Nm MAX



SWING CLAMP ASSEMBLIES

MODEL 1016-10



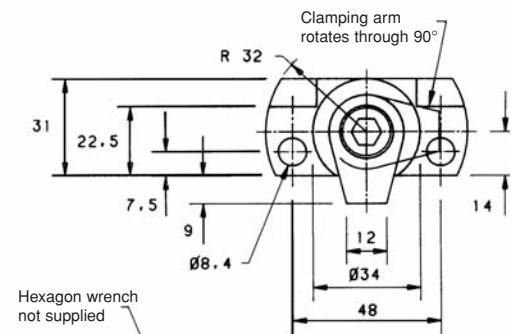
- Base or Front Mounted.
- Manually turned.
- Tightened & released by hexagonal key.
- Spring return.

Nominal Holding Force:

2000 daN

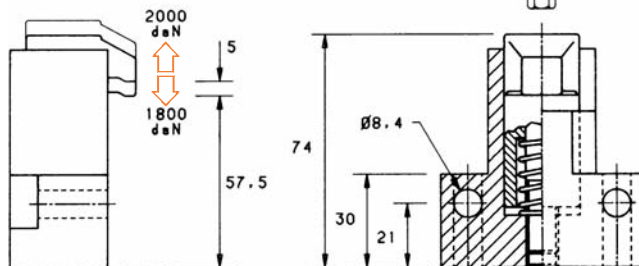
Weight:

0.56 Kg



Hexagon wrench not supplied

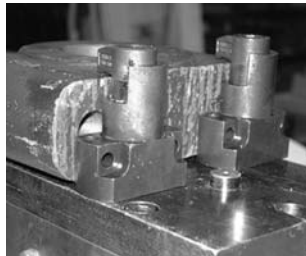
50Nm MAX



HEAVY-DUTY SWING CLAMPS

SWING CLAMP ASSEMBLIES

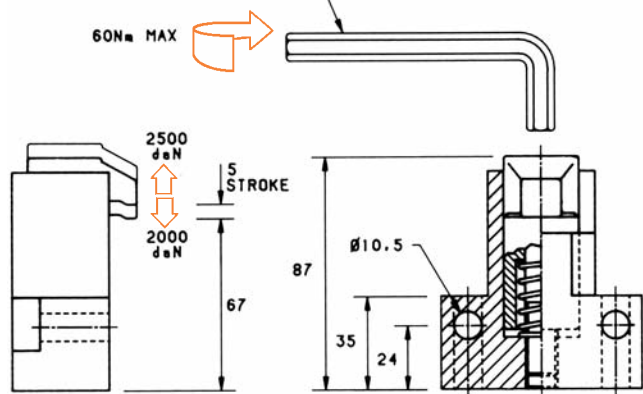
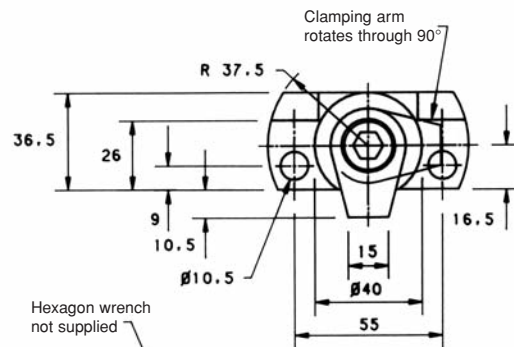
MODEL 1016-12



- Base or Front Mounted.
- Manually turned.
- Tightened & released by hexagonal key.
- Spring return.

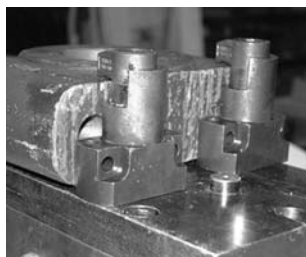
Nominal Holding Force:
2500 daN

Weight:
0.81 Kg



SWING CLAMP ASSEMBLIES

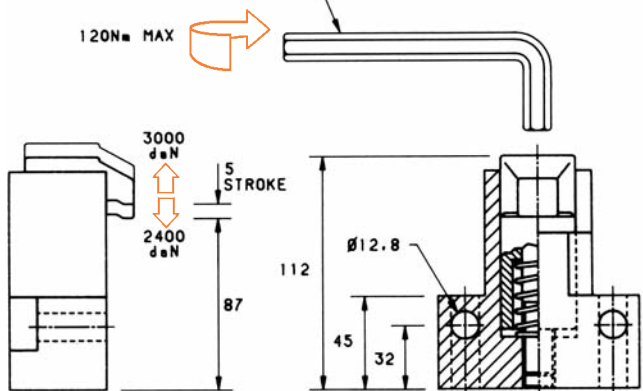
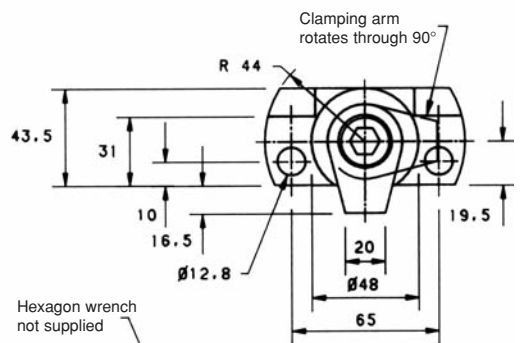
MODEL 1016-16



- Base or Front Mounted.
- Manually turned.
- Tightened & released by hexagonal key.
- Spring return.

Nominal Holding Force:
3000 daN

Weight:
1.60 Kg



HEAVY-DUTY SWING CLAMPS

SWING CLAMPS

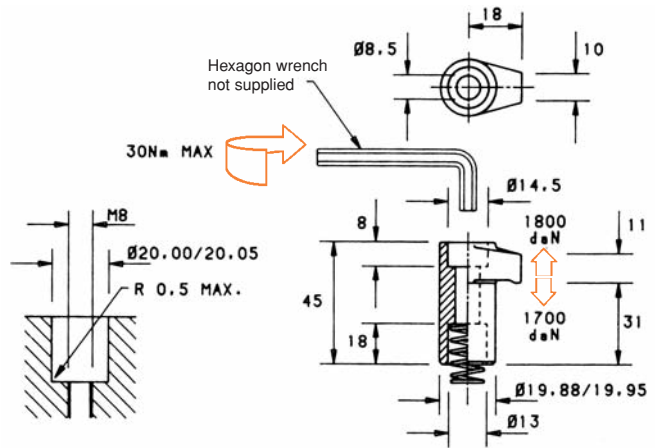
MODEL 1015-08



- Hole mounted by customer.
- Manually turned.
- Tightened & released by hexagonal key.
- Spring return.

Nominal Holding Force:
1800 daN

Weight:
0.08 Kg



SWING CLAMPS

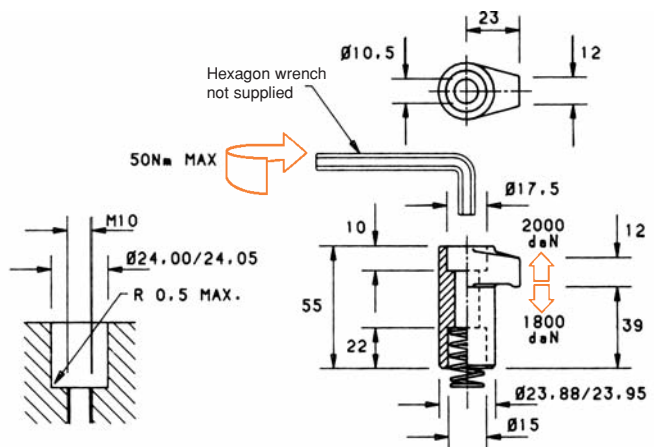
MODEL 1015-10



- Hole mounted by customer.
- Manually turned.
- Tightened & released by hexagonal key.
- Spring return.

Nominal Holding Force:
2000 daN

Weight:
0.15 Kg



SWING CLAMPS

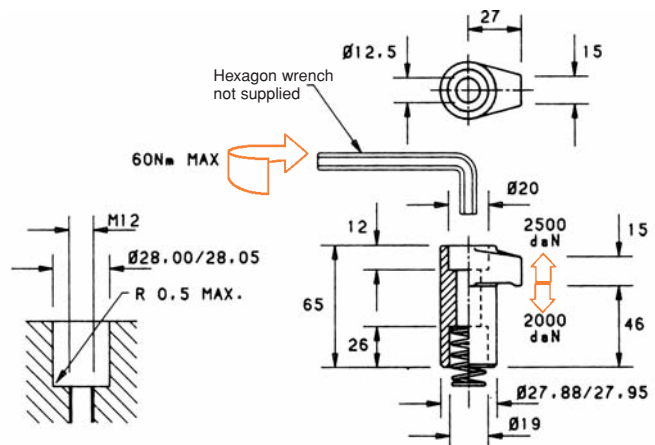
MODEL 1015-12



- Hole mounted by customer.
- Manually turned.
- Tightened & released by hexagonal key.
- Spring return.

Nominal Holding Force:
2500 daN

Weight:
0.23 Kg



SWING CLAMPS

MODEL 1015-16



- Hole mounted by customer.
- Manually turned.
- Tightened & released by hexagonal key.
- Spring return.

Nominal Holding Force:
3000 daN

Weight:
0.44 Kg

