



PULL BACK CLAMP MODEL TC79 & TC345

- **Features:**

This clamp is unique in having an action similar to a wide-opening locking plier, but having a flanged body which can be fastened to the fixture or mould against which the work-piece or mould half is to be clamped.

A comfortable, cushioned PVC grip is fitted.

- **Specification:**

The pressed components are of zinc plated and passivated steel. The jaw is a machined casting which is also zinc plated and passivated. Rivets are of stainless steel.

PULL BACK CLAMPS

PULL BACK CLAMP
MODEL TC79



Arm:
The spindle is in a fixed position.

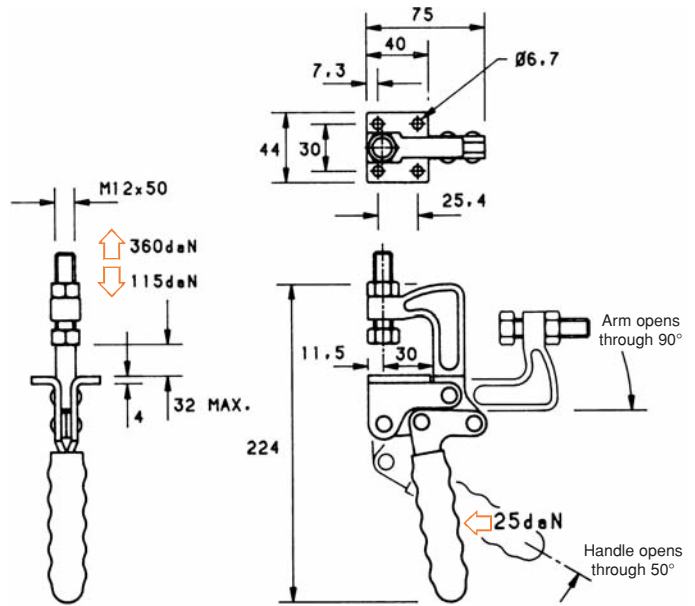
Base:
Flanged.

Nominal Holding Force:
360 daN

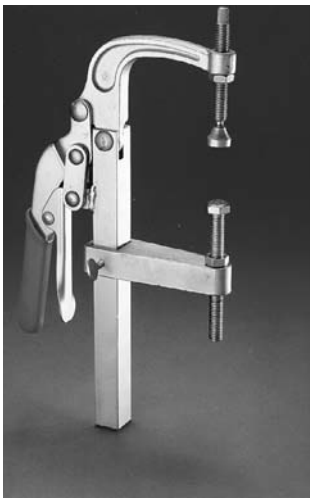
Weight:
0.50 Kg

Supplied complete with:
Setscrew & nuts.

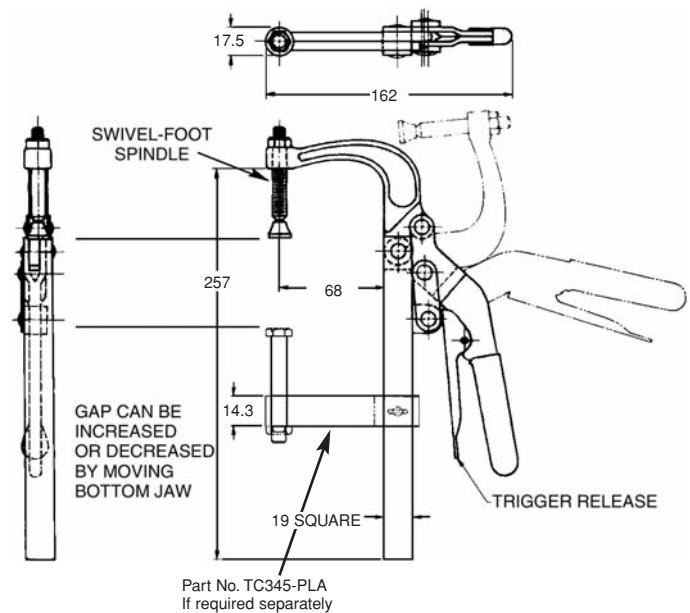
See "Accessories" for other items.



QUICK CLAMPING TOGGLE PLIERS



- multi-purpose rail clamp with forged steel clamping jaw.
- quick clamping and trigger release mechanism.
- 360 daN / 800 lb. clamping force from the toggle mechanism.
- comes supplied with lower jaw (part nos. TC345-PLA) which is also available separately.
- also supplied with SA-38314-SF swivel foot spindle.



Product Code	Opening mm	Depth mm	Rail mm	Weight kg
TC345	215	68.3	19 x 19	1.3