

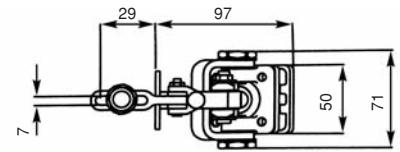
VA HEAVY DUTY PNEUMATIC POWER CLAMPS

- Pneumatic powered version of Brauer's acclaimed VA heavy duty range
- Arm types shown are standard
- All leading pneumatic cylinders including SMC, ASCO Joucoumatic, etc can be fitted

VA HEAVY-DUTY PNEUMATIC POWER CLAMPS

PNEUMATIC POWER CLAMP MODEL VA 300BX

Specifications	VA300 BX
WEIGHTS (Kg)	2.20 Kg
CLAMPING FORCE (daN)	↓ 42 ↓ 54
HOLDING FORCE (daN)	↑ 250 ↑ 350



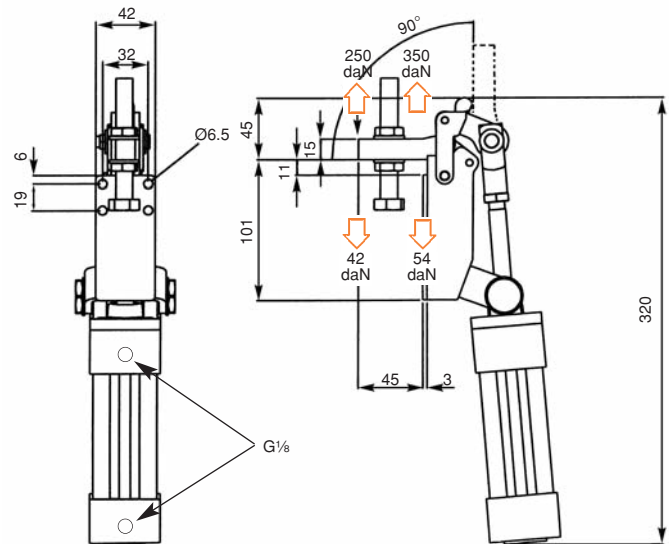
Arm:
The spindle is adjustable along the arm.

Base:
Front mounting.

Nominal holding force:
250-350 daN.

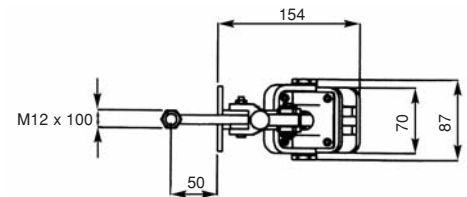
Weight:
2.20 Kg.

Stroke sensing:
SK/10.



PNEUMATIC POWER CLAMP MODEL VA 700CX

Specifications	VA700 CX
WEIGHTS (Kg)	4.50 Kg
CLAMPING FORCE (daN)	↓ 170
HOLDING FORCE (daN)	↑ 600



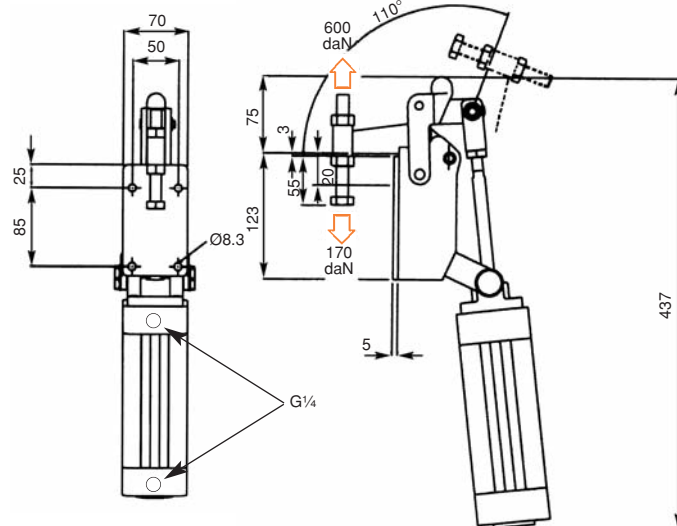
Arm:
The spindle is in a fixed position.

Base:
Front mounting.

Nominal holding force:
700 daN.

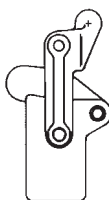
Weight:
4.50 Kg.

Stroke sensing:
SK/10.

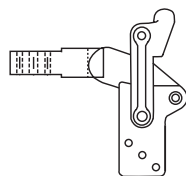


ALTERNATIVE ARM TYPES CAN BE SUPPLIED

CYLINDERS WITH SCRAPER SEALS ARE AVAILABLE ON REQUEST



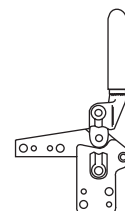
SPECIAL VA2400T



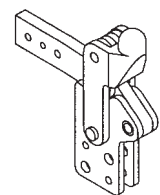
SPECIAL VA1200



SPECIAL VA2400/1A



SPECIAL VA700/1A



SPECIAL VA700

VA HEAVY-DUTY PNEUMATIC POWER CLAMPS

PNEUMATIC POWER CLAMP MODEL VA 1200CX

Specifications	VA1200 CX
WEIGHTS (Kg)	5.75 Kg
CLAMPING FORCE (daN)	170
HOLDING FORCE (daN)	800



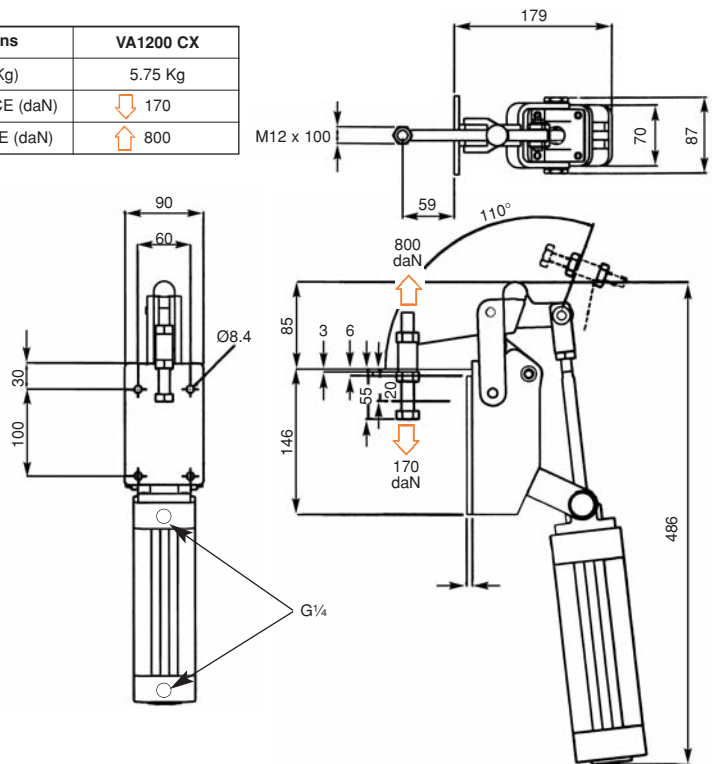
Arm:
The spindle is in a fixed position.

Base:
Front mounting.

Nominal holding force:
1200 daN.

Weight:
5.75 Kg.

Stroke sensing:
SK/10.



PNEUMATIC POWER CLAMP MODEL VA 2400CX

Specifications	VA2400 CX
WEIGHTS (Kg)	8.65 Kg
CLAMPING FORCE (daN)	185
HOLDING FORCE (daN)	1500



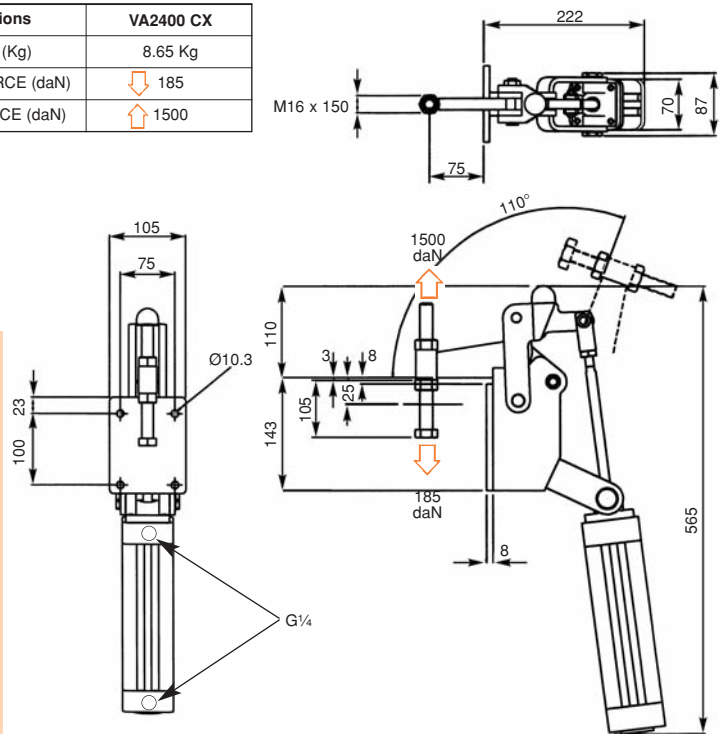
Arm:
The spindle is in a fixed position.

Base:
Front mounting.

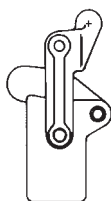
Nominal holding force:
2400 daN.

Weight:
8.65 Kg.

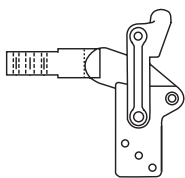
Stroke sensing:
SK/10.



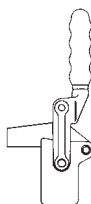
ALTERNATIVE ARM TYPES CAN BE SUPPLIED



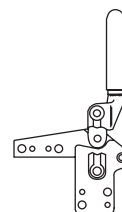
SPECIAL VA2400T



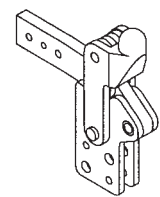
SPECIAL VA1200



SPECIAL VA2400/1A



SPECIAL VA700/1A



SPECIAL VA700