

## PNEUMATIC PUSH-PULL CLAMPS

### PNEUMATIC PUSH-PULL CLAMPS MODEL P600X



**Plunger:**  
Locks in fully extended position only.

**Base:**  
Body mounting.

**Nominal Holding Force:**  
600 daN

**Operating pressure range:**  
2-6 bar (30-88 p.s.i.g.)

**Max. cycles/min. at 6 bar:**  
60.

**Swept volume per cycle:**  
0.09 L<sup>3</sup> (5.5 cu. in.)

**Weight:**  
1.45 Kg

**Supplied complete with:**  
MB0840 Setscrew & nut.

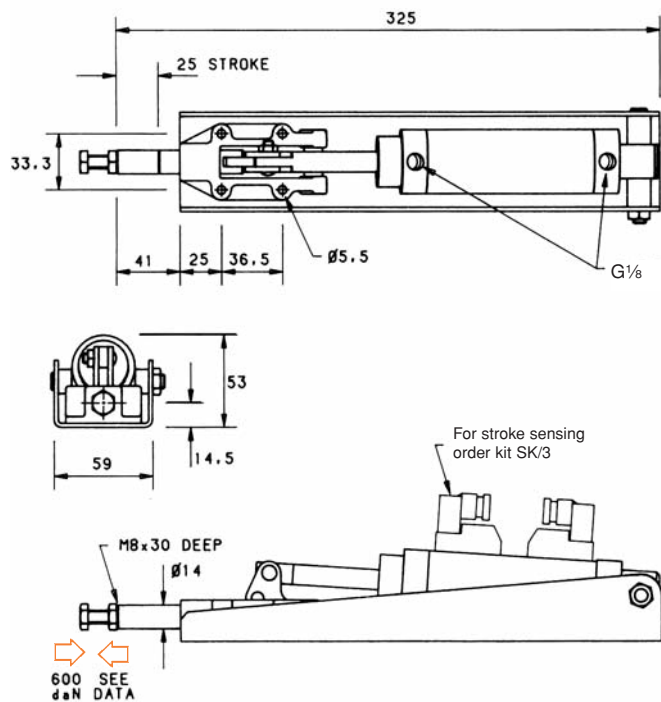
For stroke sensing order SK/3 Sensing Kit.

See "Accessories" for other items.

#### DATA

With 6 bar air supply pressure the output force is:

Stroke	daN
Fully retracted	20
5 mm extended	32
10 mm "	43
15 mm "	65
20 mm "	87
22 mm "	100
24 mm "	150
Fully extended	253



CLAMPING PRODUCTS

## PNEUMATIC VERTICAL AND PUSH-PULL CLAMPS

### PNEUMATIC PUSH-PULL CLAMPS

#### MODEL P1200X



**Plunger:**  
Locks in fully extended position only.

**Base:**  
Body mounting.

**Nominal Holding Force:**  
1200 daN

**Operating pressure range:**  
2-6 bar (30-88 p.s.i.g.)

**Max. cycles/min. at 6 bar:**  
50.

**Swept volume per cycle:**  
0.28 L<sup>3</sup> (16.8 cu. in.)

**Weight:**  
3.70 Kg

**Supplied complete with:**  
MB1050 Setscrew & nut.

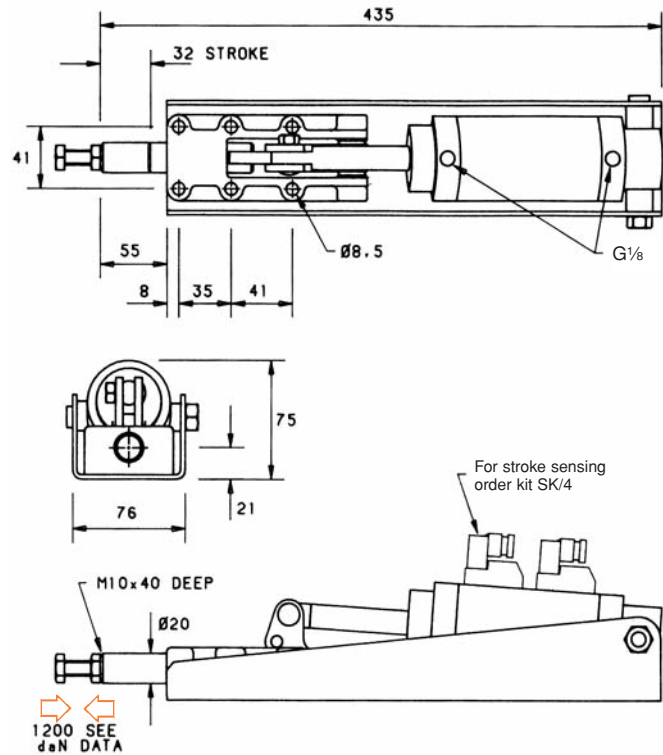
For stroke sensing order SK/4 Sensing Kit.

See "Accessories" for other items.

#### DATA

With 6 bar air supply pressure the output force is:

Stroke	daN
Fully retracted	110
5 mm extended	120
10 mm "	140
15 mm "	165
20 mm "	195
25 mm "	230
27 mm "	255
29 mm "	300
31 mm "	430
Fully extended	1150



### PNEUMATIC PUSH-PULL CLAMPS

#### MODEL P2500X



**Plunger:**  
Locks in fully extended position only.

**Base:**  
Body mounting.

**Nominal Holding Force:**  
2500 daN

**Operating pressure range:**  
2-6 bar (30-88 p.s.i.g.)

**Max. cycles/min. at 6 bar:**  
45.

**Swept volume per cycle:**  
0.6 L<sup>3</sup> (36.6 cu. in.)

**Weight:**  
7.40 Kg

**Supplied complete with:**  
MB1250 Setscrew & nut.

For stroke sensing order SK/5 Sensing Kit.

See "Accessories" for other items.

#### DATA

With 6 bar air supply pressure the output force is:

Stroke	daN
Fully retracted	130
5 mm extended	140
10 mm "	160
15 mm "	175
20 mm "	200
25 mm "	210
30 mm "	245
35 mm "	265
40 mm "	325
45 mm "	420
47 mm "	490
49 mm "	700
Fully extended	1450

