

.....
**ADDITIONAL HORIZONTAL
CLAMPING PRODUCTS**

ADDITIONAL HORIZONTAL CLAMPING PRODUCTS

MODEL H100/1B



Arm:
The spindle position is adjustable along the arm.

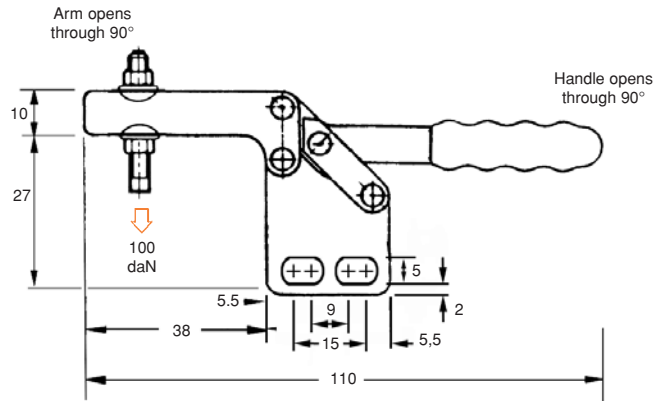
Base:
Straight.

Nominal Holding Force:
100 daN

Weight:
0.085 Kg

Supplied complete with:
standard spindle, nuts and flanged washers

See "Accessories" for other items.



MODEL H100/1C



Arm:
The spindle is in a fixed position.

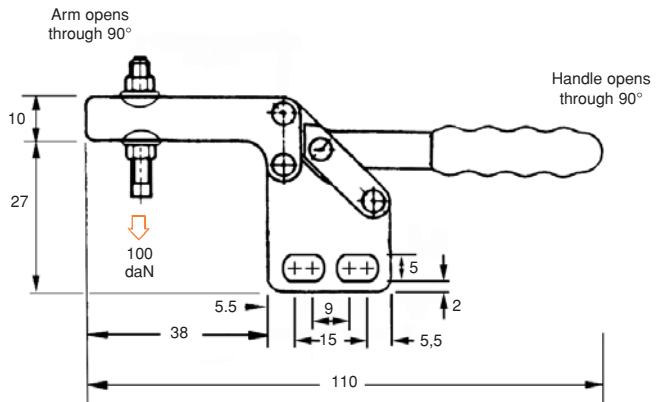
Base:
Straight.

Nominal Holding Force:
100 daN

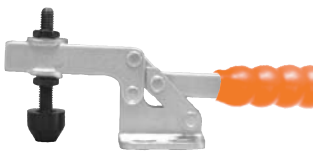
Weight:
0.085 Kg

Supplied complete with:
standard spindle, nuts and flanged washers

See "Accessories" for other items.



MODEL H100/2B



Arm:
The spindle position is adjustable along the arm.

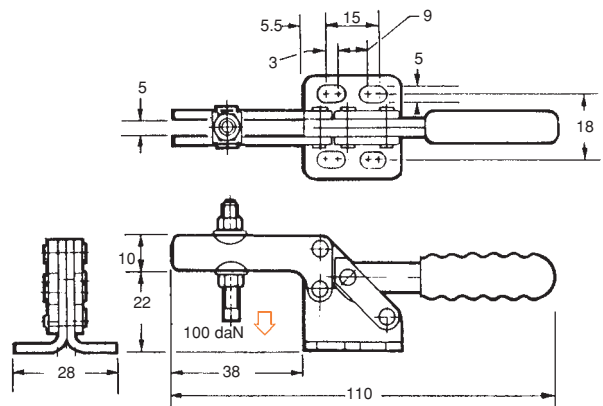
Base:
Flanged.

Nominal Holding Force:
100 daN

Weight:
0.085 kg

Supplied complete with:
standard spindle, nuts and flanged washers

See "Accessories" for other items.



ADDITIONAL HORIZONTAL CLAMPING PRODUCTS

MODEL H100/2C



Arm:
The spindle is in a fixed position.

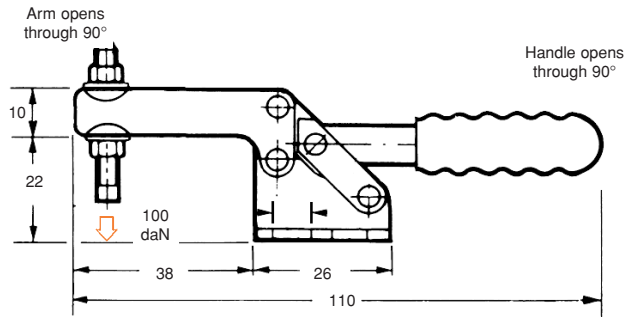
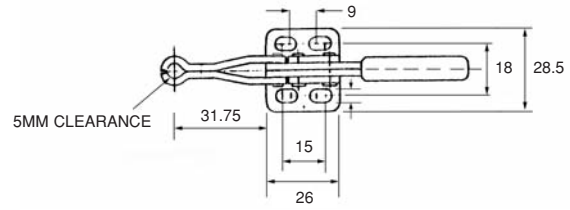
Base:
Flanged.

Nominal Holding Force:
100 daN

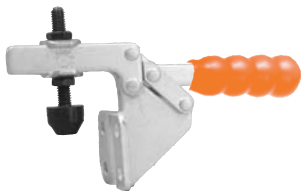
Weight:
0.085 Kg

Supplied complete with:
standard spindle, nuts and flanged washers

See "Accessories" for other items.



MODEL H100/3B



Arm:
The spindle position is adjustable along the arm.

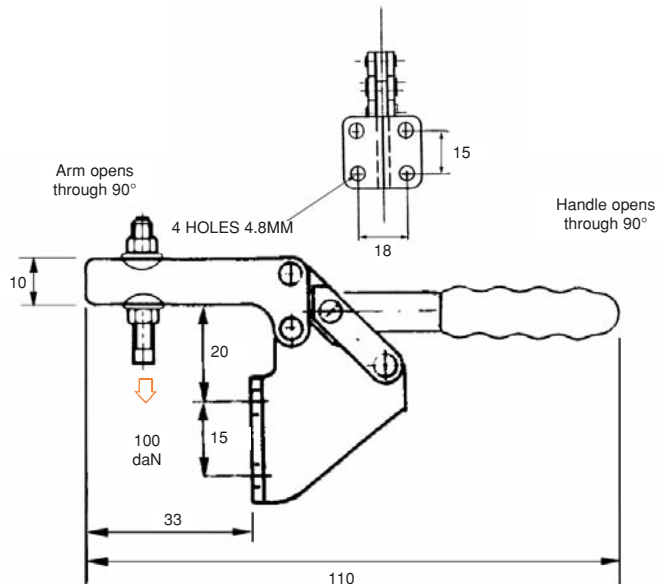
Base:
Front mounting.

Nominal Holding Force:
100 daN

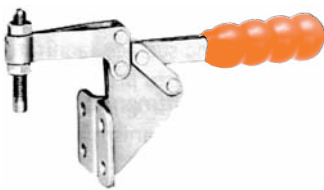
Weight:
0.085 Kg

Supplied complete with:
standard spindle, nuts and flanged washers

See "Accessories" for other items.



MODEL H100/3C



Arm:
The spindle is in a fixed position.

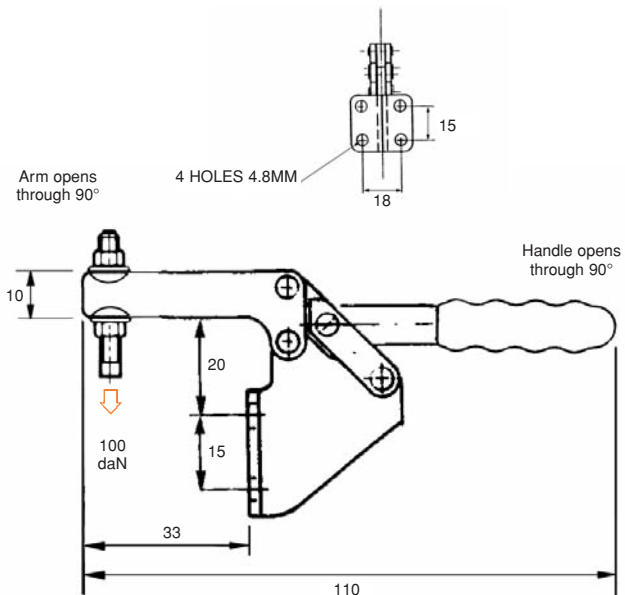
Base:
Front mounting.

Nominal Holding Force:
100 daN

Weight:
0.085 Kg

Supplied complete with:
standard spindle, nuts and flanged washers

See "Accessories" for other items.



ADDITIONAL HORIZONTAL CLAMPING PRODUCTS

MODEL H200/1B



Arm:
The spindle position is adjustable along the arm.

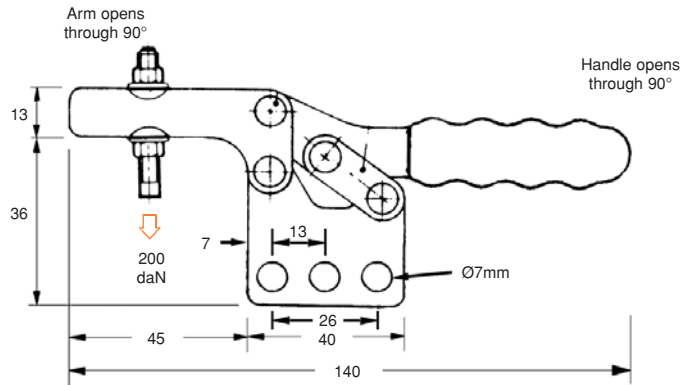
Base:
Straight.

Nominal Holding Force:
200 daN

Weight:
0.17 Kg

Supplied complete with:
standard spindle, nuts and flanged washers

See "Accessories" for other items.



MODEL H200/2B



Arm:
The spindle position is adjustable along the arm.

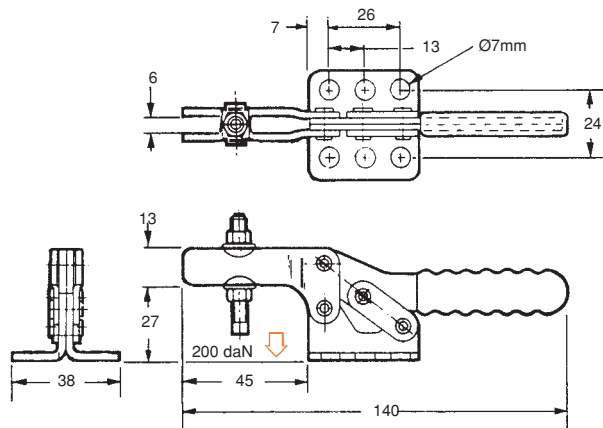
Base:
Flanged.

Nominal Holding Force:
200 daN

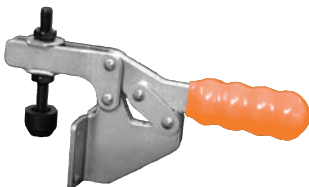
Weight:
0.17 Kg

Supplied complete with:
standard spindle, nuts and flanged washers

See "Accessories" for other items.



MODEL H200/3B



Arm:
The spindle position is adjustable along the arm.

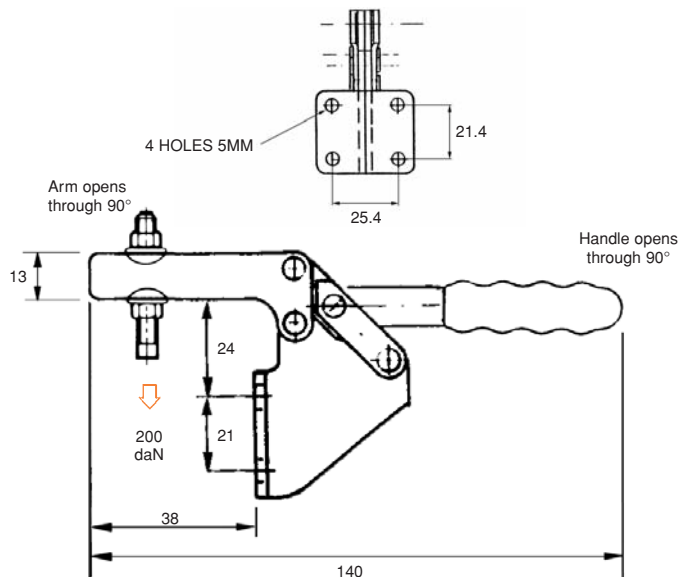
Base:
Front mounting.

Nominal Holding Force:
200 daN

Weight:
0.17 Kg

Supplied complete with:
standard spindle, nuts and flanged washers

See "Accessories" for other items.



ADDITIONAL HORIZONTAL CLAMPING PRODUCTS

MODEL H300/1B



Arm:
The spindle position is adjustable along the arm.

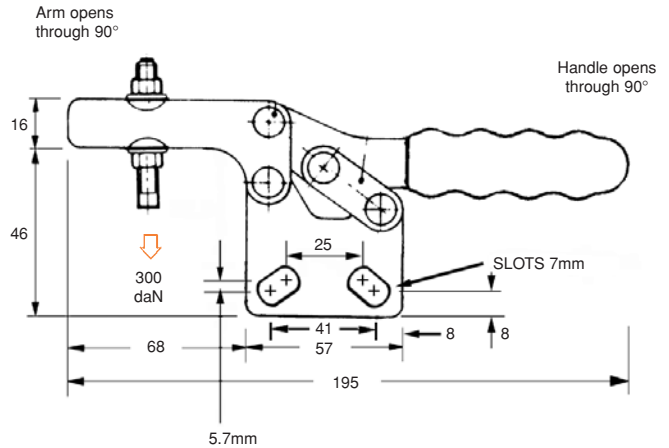
Base:
Straight.

Nominal Holding Force:
300 daN

Weight:
0.34 Kg

Supplied complete with:
standard spindle, nuts and flanged washers

See "Accessories" for other items.



MODEL H300/2B



Arm:
The spindle position is adjustable along the arm.

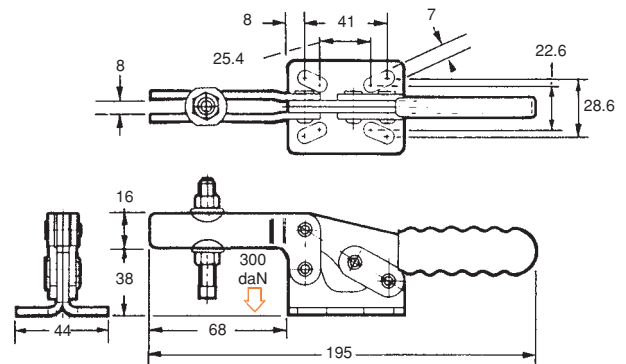
Base:
Flanged.

Nominal Holding Force:
300 daN

Weight:
0.34 Kg

Supplied complete with:
standard spindle, nuts and flanged washers

See "Accessories" for other items.



MODEL H300/3B



Arm:
The spindle position is adjustable along the arm.

Base:
Front mounting.

Nominal Holding Force:
300 daN

Weight:
0.34 Kg

Supplied complete with:
standard spindle, nuts and flanged washers

See "Accessories" for other items.

