



.....  
**TOGGLE CLAMPING  
ACCESSORIES**

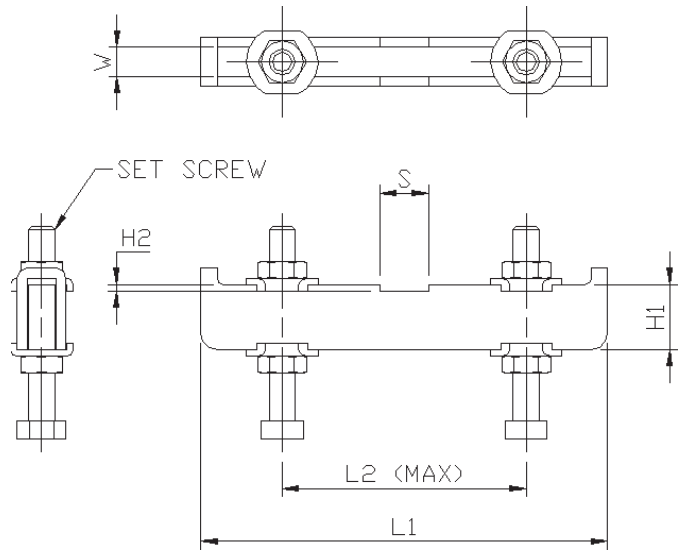
## CLAMPING ACCESSORIES

### 'T' BAR ASSEMBLIES

MODELS T250, T350, T450



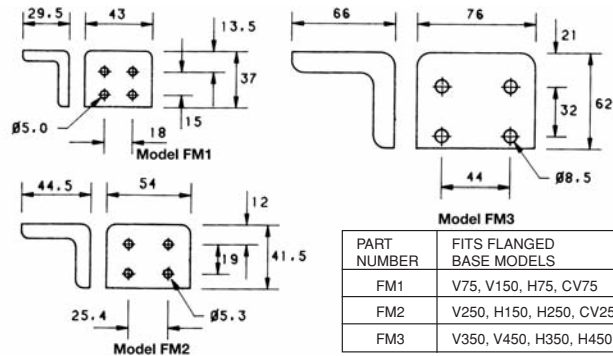
Neoprene tipped spindles, set screw covers or pads can also be used in conjunction with this 'T' Bar Assembly – see below.



MODEL	FOR USE WITH	SUPPLIE SET SCREW	L1	L2	H1	H2	S	W
T250	H250, V250, V300	MB0860	125	95	20	2	15	9
T350	H350, V350	MB1085	145	110	24	2	19.5	11
T450	H450, V450, H700	MB12100	200	160	25	2	23.3	13

### FRONT MOUNTING BRACKETS

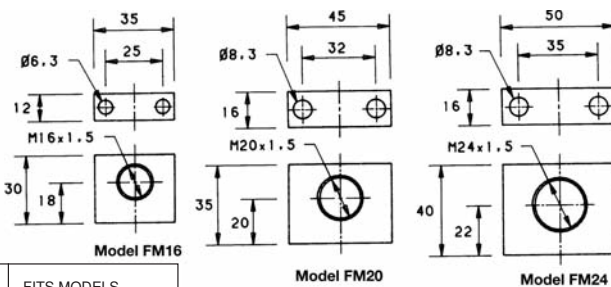
—VERTICAL AND HORIZONTAL CLAMPS



PART NUMBER	FITS FLANGED BASE MODELS
FM1	V75, V150, H75, CV75
FM2	V250, H150, H250, CV250
FM3	V350, V450, H350, H450, CV350

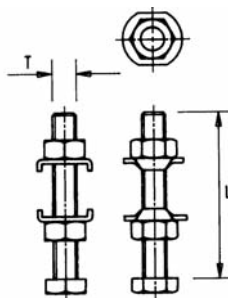
### MOUNTING BRACKETS

—NOSE MOUNTING PUSH-PULL CLAMPS



PART NUMBER	FITS MODELS
FM16	P100, P350
FM20	P200, P250, P550
FM24	P400, P450, P750

### SETSCREWS

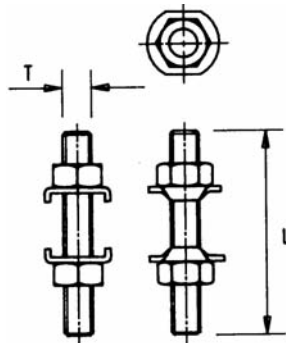


PART NUMBER	TH'D T	L	FITS MODELS
MB0520	M5	20	H50
MB0535	M5	35	V75, H75, V100, CV75, V75X
MB0650	M6	50	V150, V200, H150, V150X
MB0860	M8	60	V250, V300, CV250, H250, V250X
MB1080	M10	80	V350, H350, CV350
MB12100	M12	100	V450, V450X, H450, H700, VA700, VA1200
M16150	M16	150	V550, VA2400
MB0420	M4	20	P50** (INCLUDES NEOPRENE PAD)
MB0625	M6	25	P100, P250, P350**
MB0840	M8	40	P200, P550, P600, P600L, P600X**
MB1050	M10	50	P400, P450, P750, P1200, P1200L, P1200X**
MB1250	M12	50	P2500, P2500L, P2500X**
MB1680	M16	80	P5000, P5000L**

\*\*DENOTES – SETSCREW SUPPLIED WITH ONE NUT ONLY

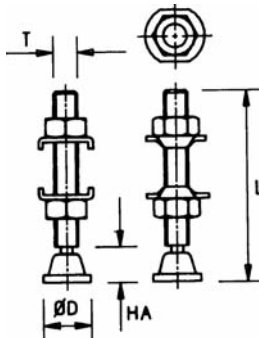
## CLAMPING ACCESSORIES

### PLAIN SPINDLES



PART NUMBER	TH'D T	L	FITS MODELS
M0525	M5	25	H50
M0535	M5	35	V75, H75, V100, CV75, V75X
M0650	M6	50	V150, V200, H150, P250, P350
M0865	M8	65	V250, V300, CV250, P300, P550 P600, P600L, P600X, P200,
M1085	M10	85	V350, CV350, H350, P400, P450, P750, P1200, P1200L, P1200X
M12100	M12	100	V450, VA700, VA1200, H450, H700, V450X
M16150	M16	150	V550, VA2400

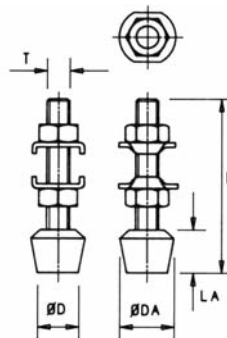
### SWIVEL FOOT SPINDLES



PART NUMBER	TH'D T	L	ØD	HA	FITS MODELS
MS0535	M5	35	12	10	V75, H75, V100, CV75, V75X
MS0650	M6	50	12	10	V150, V200, H150, P250, P350
MS0865	M8	65	20	13	V250, V300, CV250, P300, P550, P600, P600L, P600X, P200
MS1085	M10	85	20	15	V350, CV350, H350, P400, P450, P750, P1200, P1200L, P1200X
MS12100	M12	100	25	20	V450, VA700, VA1200, H45C, H700, V450X
MS16150	M16	150	45	30	V550, VA2400

### NEOPRENE TIPPED SPINDLES

MATERIAL: NEOPRENE  
HARDNESS: 85 SHORE A  
OPERATING TEMP: -20° +70°

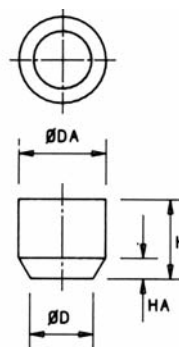


PART NUMBER	TH'D T	L	LA	ØD	ØDA	FITS CLAMP MODEL
NTS0432	M4	3	10	8	12	P50 (1)
NTS0538	M5	38	10	10	13	H50, V75, H75, V100, CV75, V75X
NTS0645	M6	45	13	11	16	V150, V200, H150, P100, P250, P350
NTS0865	M8	63	19	12	17	V250, V300, CV250, P200, P300, P550, P600, P600L, P600X
NTS1085	M10	86	20	22	27	V350, CV350, H350, P400, P450, P750, P1200, P1200L, P1200X
NTS12100	M12	100	35	22	32	V450, VA700, VA1200, H450, H700, V450X

(1) NO SLIDERS, ONE NUT ONLY

### NEOPRENE SETSCREW COVERS

MATERIAL: NEOPRENE  
HARDNESS: 85 SHORE A  
OPERATING TEMP: -20° +70°

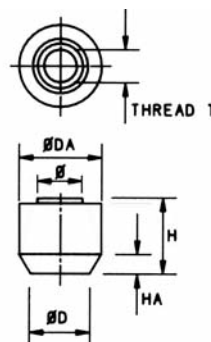


MATERIAL: NEOPRENE  
HARDNESS: 85 SHORE A  
OPERATING TEMP: -20 +70

PART NUMBER	H	HA	ØD	ØDA	FITS SCREW
NC/04	8	4	7	11	MB0420
NC/05	10	4	8	13	MB0525, MB0535
NC/06	12	4	11	15	MB0650
NC/08	15	6	13	19	MB0860
NC/10	18	7	16	23	MB1080
NC/12	20	7	19	26	MB1250, MB12100

### NEOPRENE PADS

— TO FIT PLAIN SPINDLES  
MATERIAL: NEOPRENE  
HARDNESS: 85 SHORE A  
OPERATING TEMP: -20° +70°



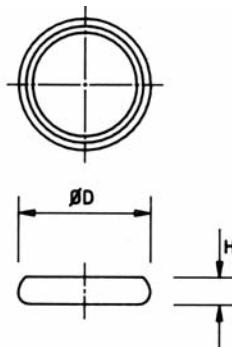
MATERIAL: NEOPRENE  
HARDNESS: 85 SHORE A  
OPERATING TEMP: -20 +70

PART NUMBER	TH'D T	H	HA	ØD	ØDA	Ø	FITS SPINDLE
NP/05	-	10	1	-	12	-	M0525, M0535
NP/06	M6	14	4	11	15	11	M0650
NP/08	M8	18	6	13	19	15	M0865
NP/10	M10	21	7	16	23	17	M1085
NP/12	M12	23	7	19	26	21	M12100

## CLAMPING ACCESSORIES

### PLASTIC COVERS

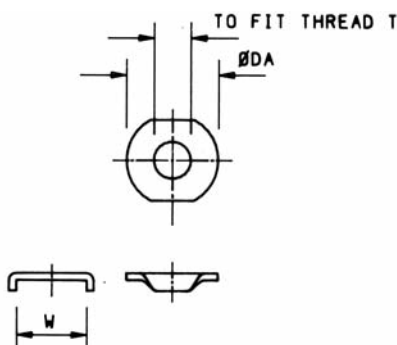
TO FIT SWIVEL FOOT SPINDLES



PART NUMBER	ØD	H	FITS SPINDLE
NPS/05/06	16	6	MS0535, MS0650
NPS/08/10	24	10	MS0865, MS1085
NPS/12	30	10	MS12100

MATERIAL: PVC  
OPERATING TEMP RANGE: -35°C +60°C

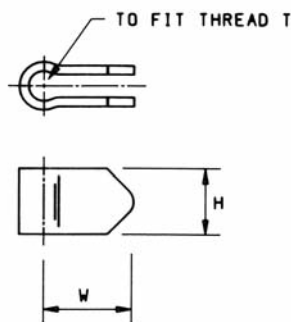
### FLANGED WASHERS



PART NUMBER	TH'D T	W	ØDA	FITS CLAMP MODELS WITH TYPE B ARM
FW05/09	M5	9	13	H50
FW05/10	M5	10	15	H75, V75, V75X, V100
FW06/12	M6	12	18	H150, V150, V150X, V200
FW08/15	M8	15	22	H250, V250, V250X, V300
FW10/20	M10	20	26	H350, V350
FW12/23	M12	23	32	H450, V450, V450X, H700
FW16/27	M16	27	35	V550

### SPINDLE RETAINERS

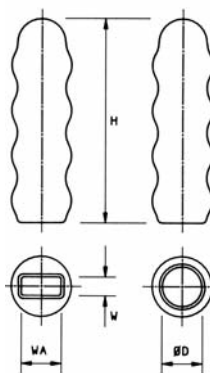
- TO FIT SPINDLES AND SETSCREWS



PART NUMBER	TH'D T	H	W	FITS CLAMP MODELS WITH TYPE A ARM
R/08	M8	17.5	24	V250, H250, V300
R/10	M10	22	30	V350, H350
R/12	M12	26	32	V450, H450
R/16	M16	32	35	V550

### PLASTIC GRIPS

MATERIAL: PVC  
OPERATING TEMP RANGE: -35°C +60°C



PART NUMBER	H	TO FIT HANDLE DIM'S			FITS CLAMP MODEL
		W	WA	ØD	
GR/01	45	4	8		H75, V75, CV75, V100, H100
GR/02	60	5	10		H150
GR/03	53	6	10		V150, LH200
GR/04	55	5	13		H200
GR/05	58	4	13		V200, P100
GR/06	85	6	15		V250, H250, CV250, V300, LH400, P200, P350
GR/07	65	6	16		H300
GR/08	60	5	13		P250
GR/09	105	8	17		V350, CV350, H350, P400, P450, P550, TC79
GR/10	95	10	22		V450, H450, LH700
GR/11	120	10	25		V550
GR/12	105	8	19		H700
GR/13	115	8	22		P750
BR/1	70		9.5		P600L
BR/2	75		12.7		P1200L
BR/3	100		16		P2500L
B7	90		19		VA700, P5000L
B12	100		22		VA1200
B24	100		25		VA2400