

TMDF-70 - FILLER BREATHERS WITH FILTER

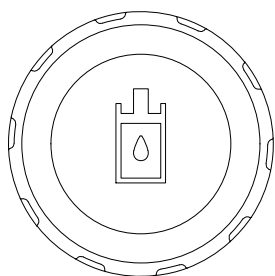
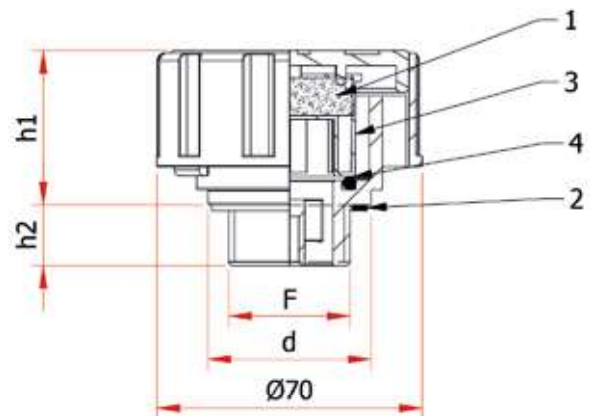
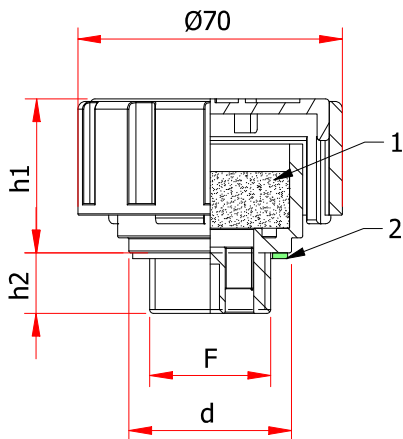
TMDF-70-AS - FILLER BREATHERS WITH FILTER AND INTERNAL ANTI-SPLASH



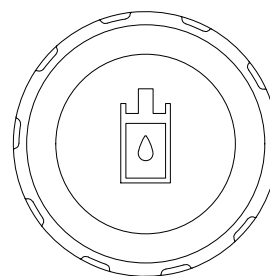
TMDF-70



TMDF-70-AS



- 1 = Air filter
- 2 = NBR flat seal
- 3 = Internal anti splash
- 4 = Internal O-Ring



Code	Code	F	d	h1	h2
TMDF/34/70	TMDF/34/70-AS	G 3/4"	47	41,5	15,5
TMDF/1/70	TMDF/1/70-AS	G.1	49	40,7	16
TMDF/114/70	TMDF/114/70-AS	G 1 1/4"	53	41	14,5
TMDF/112/70	TMDF/112/70-AS	G 1 1/2"	43	41	14,5
TMDF/2/70	TMDF/2/70-AS	G.2"	69	42	16
TMDF/56.4/70	TMDF/56.4/70-AS	56x4	69	42	16