

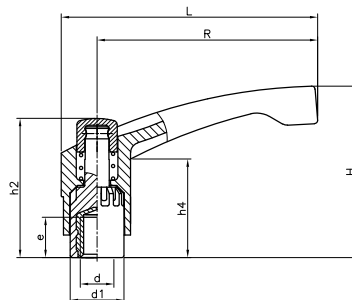
Tecnodin **Clamping** Levers & Cranking **Handles**

Page		Page		Page	
57		62		65	
57		62		65	
58		62		65	
59		62		66	
59		63			
60		63			
60		63			
60		63			
61		64			
61		64			
61		64			
61		65			

1198K ADJUSTABLE HANDLE K WITH THREADED INSERT



Black	RAL 7021
Orange	RAL 2004
Red	RAL 3001
Blue	RAL 5005
Yellow	RAL 1021

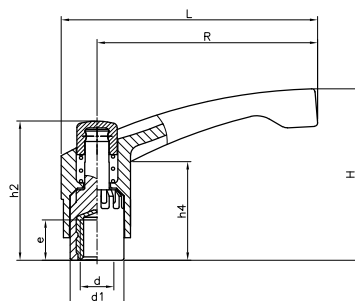


Threaded brass insert.
PA: Reinforced Polyamide.
Spring in stainless-steel.

Black Lever Body				Orange Lever Body		R	L	H	d	e	h4	d1	h2
Black Cap	Orange Cap	Red Cap	Yellow Cap	Black Cap	Orange Cap								
119841301	119842301	119845301	119851301	119843301	119847301	43	51	38	M4	8	23	13	33
119841302	119842302	119845302	119851302	119843302	119847302	43	51	38	M5	9	23	13	33
119841303	119842303	119845303	119851303	119843303	119847303	43	51	38	M6	10	23	13	33
119861301	119862301	119865301	119871301	119863301	119867301	65	75	48	M6	10	26	16	42
119861302	119862302	119865302	119871302	119863302	119867302	65	75	48	M8	14	26	16	42
119861303	119862303	119865303	119871303	119863303	119867303	65	75	48	M10	13	26	16	42
119881301	119882301	119885301	119891301	119883301	119887301	85	98	63	M8	14	34	20	51
119881302	119882302	119885302	119891302	119883302	119887302	85	98	63	M10	17	34	20	51
119881303	119882303	119885303	119891303	119883303	119887303	85	98	63	M12	19	34	20	51

Red Lever Body		Blue Lever Body		R	L	H	d	e	h4	d1	h2
Black Cap	Red Cap	Black Cap	Blue Cap								
119846301	119840301	119849301	119848301	43	51	38	M4	8	23	13	33
119846302	119840302	119849302	119848302	43	51	38	M5	9	23	13	33
119846303	119840303	119849303	119848303	43	51	38	M6	10	23	13	33
119866301	119860301	119869301	119868301	65	75	48	M6	10	26	16	42
119866302	119860302	119869302	119868302	65	75	48	M8	14	26	16	42
119866303	119860303	119869303	119868303	65	75	48	M10	13	26	16	42
119886301	119880301	119889301	119888301	85	98	63	M8	14	34	20	51
119886302	119880302	119889302	119888302	85	98	63	M10	17	34	20	51
119886303	119880303	119889303	119888303	85	98	63	M12	19	34	20	51

1198K ADJUSTABLE HANDLE K WITH THREADED SS INSERT



Code	R	L	H	d	e	h4	d1	h2	Color
119841305	43	51	38	M6	10	23	13	33	Black
119861305	65	75	48	M6	10	26	16	42	Black
119861306	65	75	48	M8	14	26	16	42	Black
119881305	85	98	63	M10	17	34	20	51	Black

Threaded female stainless-steel
AISI-303 insert.
PA: Reinforced Polyamide.
Spring in stainless-steel.

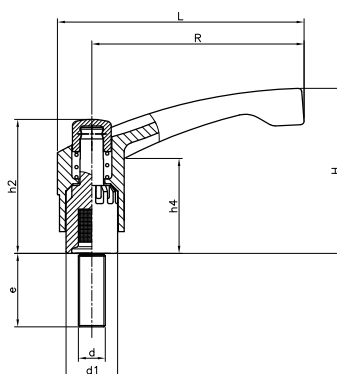


1198T ADJUSTABLE HANDLE T WITH THREADED STUD



- RAL 7021
- RAL 2004
- RAL 3001
- RAL 5005
- RAL 1021

Treated threaded steel stud.
PA: Reinforced Polyamide.
Spring in stainless-steel.

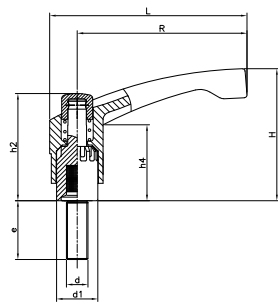


Black Lever Body				Orange Lever Body		R	L	H	d	e	h4	d1	h2
Black Cap	Orange Cap	Red Cap	Yellow Cap	Black Cap	Orange Cap								
119841503	119842503	119845503	119851503	119843503	119847503	43	51	38	M5	10	23	13	33
119841504	119842504	119845504	119851504	119843504	119847504	43	51	38	M5	20	23	13	33
119841505	119842505	119845505	119851505	119843505	119847505	43	51	38	M6	15	23	13	33
119841506	119842506	119845506	119851506	119843506	119847506	43	51	38	M6	25	23	13	33
119841507	119842507	119845507	119851507	119843507	119847507	43	51	38	M6	40	23	13	33
119861501	119862501	119865501	119871501	119863501	119867501	65	75	48	M6	15	26	16	42
119861502	119862502	119865502	119871502	119863502	119867502	65	75	48	M6	20	26	16	42
119861503	119862503	119865503	119871503	119863503	119867503	65	75	48	M6	30	26	16	42
119861504	119862504	119865504	119871504	119863504	119867504	65	75	48	M6	40	26	16	42
119861523	119862523	119865523	119871523	119863523	119867523	65	75	48	M8	15	26	16	42
119861506	119862506	119865506	119871506	119863506	119867506	65	75	48	M8	20	26	16	42
119861507	119862507	119865507	119871507	119863507	119867507	65	75	48	M8	33	26	16	42
119861508	119862508	119865508	119871508	119863508	119867508	65	75	48	M8	47	26	16	42
119861511	119862511	119865511	119871511	119863511	119867511	65	75	48	M10	20	26	16	42
119861512	119862512	119865512	119871512	119863512	119867512	65	75	48	M10	30	26	16	42
119861513	119862513	119865513	119871513	119863513	119867513	65	75	48	M10	40	26	16	42
119881501	119882501	119885501	119891501	119883501	119887501	85	98	63	M8	20	34	20	51
119881502	119882502	119885502	119891502	119883502	119887502	85	98	63	M8	33	34	20	51
119881503	119882503	119885503	119891503	119883503	119887503	85	98	63	M8	47	34	20	51
119881504	119882504	119885504	119891504	119883504	119887504	85	98	63	M10	20	34	20	51
119881505	119882505	119885505	119891505	119883505	119887505	85	98	63	M10	30	34	20	51
119881506	119882506	119885506	119891506	119883506	119887506	85	98	63	M10	40	34	20	51
119881507	119882507	119885507	119891507	119883507	119887507	85	98	63	M12	30	34	20	51
119881508	119882508	119885508	119891508	119883508	119887508	85	98	63	M12	40	34	20	51
119881509	119882509	119885509	119891509	119883509	119887509	85	98	63	M12	60	34	20	51

Red Lever Body		Blue Lever Body		R	L	H	d	e	h4	d1	h2
Black Cap	Red Cap	Black Cap	Blue Cap								
119846503	119840503	119849503	119848503	43	51	38	M5	10	23	13	33
119846504	119840504	119849504	119848504	43	51	38	M5	20	23	13	33
119846505	119840505	119849505	119848505	43	51	38	M6	15	23	13	33
119846506	119840506	119849506	119848506	43	51	38	M6	25	23	13	33
119846507	119840507	119849507	119848507	43	51	38	M6	40	23	13	33
119866501	119860501	119869501	119868501	65	75	48	M6	15	26	16	42
119866502	119860502	119869502	119868502	65	75	48	M6	20	26	16	42
119866503	119860503	119869503	119868503	65	75	48	M6	30	26	16	42
119866504	119860504	119869504	119868504	65	75	48	M6	40	26	16	42
119866506	119860506	119869506	119868506	65	75	48	M8	15	26	16	42
119866507	119860507	119869507	119868507	65	75	48	M8	20	26	16	42
119866508	119860508	119869508	119868508	65	75	48	M8	33	26	16	42
119866511	119860511	119869511	119868511	65	75	48	M8	47	26	16	42
119866512	119860512	119869512	119868512	65	75	48	M10	20	26	16	42
119866513	119860513	119869513	119868513	65	75	48	M10	30	26	16	42
119866523	119860523	119869523	119868523	65	75	48	M10	40	26	16	42

Red Lever Body		Blue Lever Body		R	L	H	d	e	h4	d1	h2
Black Cap	Red Cap	Black Cap	Blue Cap								
119886501	119880501	119889501	119888501	85	98	63	M8	20	34	20	51
119886502	119880502	119889502	119888502	85	98	63	M8	33	34	20	51
119886503	119880503	119889503	119888503	85	98	63	M8	47	34	20	51
119886504	119880504	119889504	119888504	85	98	63	M10	20	34	20	51
119886505	119880505	119889505	119888505	85	98	63	M10	30	34	20	51
119886506	119880506	119889506	119888506	85	98	63	M10	40	34	20	51
119886507	119880507	119889507	119888507	85	98	63	M12	30	34	20	51
119886508	119880508	119889508	119888508	85	98	63	M12	40	34	20	51
119886509	119880509	119889509	119888509	85	98	63	M12	60	34	20	51

1198T ADJUSTABLE HANDLE T WITH THREADED SS STUD



Code	R	L	H	d	e	h4	d1	h2	Color
119841508	43	51	38	M6	16	23	13	33	Black
119861515	65	75	48	M6	16	26	16	42	Black
119861516	65	75	48	M8	20	26	16	42	Black
119861517	65	75	48	M8	40	26	16	42	Black
119881515	85	98	63	M10	20	34	20	51	Black
119881516	85	98	63	M10	30	34	20	51	Black
119881517	85	98	63	M12	30	34	20	51	Black
119881518	85	98	63	M12	50	34	20	51	Black

Threaded stainless-steel AISI-303 stud.
 PA: Reinforced Polyamide.
 Spring in stainless-steel.
 Available in other colours on request.

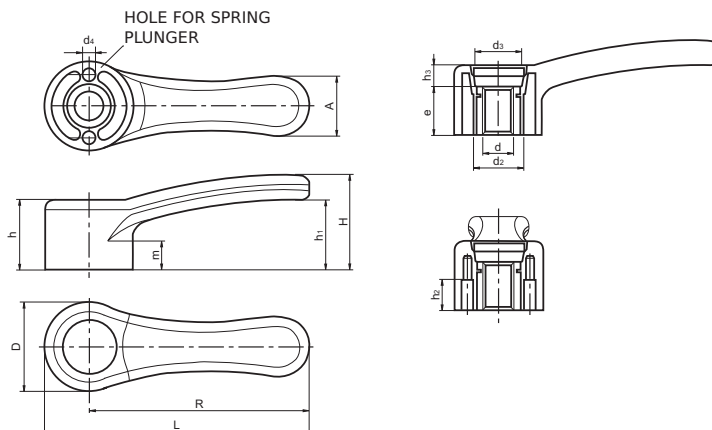


4749 FIXED LEVER K WITH THREADED INSERT

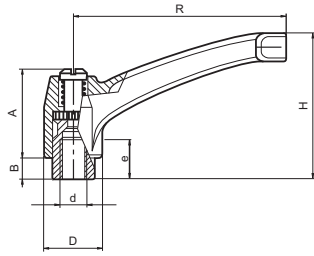


Code	R	D	H	d	L	e	h	h1	h2	h3	m	A	d2	d3	d4	Color	Cap
474906301	68	33	37	M6	84.5	16	25	27	11.5	9	12	20	20	16	4	Black	Grey
474906302	68	33	37	M8	84.5	16	25	27	11.5	9	12	20	20	16	4	Black	Grey
474908302	86	36	40	M8	104	16	28	29	14	12	13	24	22	18	5	Black	Grey
474908301	86	36	40	M10	104	16	28	29	14	12	13	24	22	18	5	Black	Grey
474911301	112	45	47	M12	134.5	24	36	35	14.5	12	16	30	26	23.5	6	Black	Grey
474914301	142	55	52	M16	169.5	27	40	36	18	13	17.5	37	32	28	8	Black	Grey

Zinc plated steel threaded bush.
 PA: Lever and cap made of reinforced polyamide.
 Lever body is colour black and cap is grey (RAL 7035).



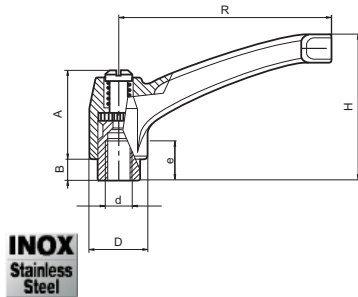
4750C INDEXED CLAMPING LEVER 4750 C WITH FEMALE THREAD



Black oxide treated steel insert with female threaded hole.
Die Cast Zamak lever body, black RAL 9005.
For other threads and colours (orange RAL 2004, grey RAL 7031), please ask.

Code	R	H	A	B	D	d	e	Color
475004301	43	30	25	5	14	M4	7	Black
475004302	43	30	25	5	14	M5	9	Black
475004303	43	30	25	5	14	M6	9	Black
475006302	65	45	27	7	19	M6	10	Black
475006301	65	45	27	7	19	M8	10	Black
475008303	80	57	34	8	22	M8	14	Black
475008302	80	57	34	8	22	M10	13	Black
475008301	80	56	34	8	22	M12	12	Black
475009301	94	65	39,5	10,5	26	M10	20	Black
475009303	94	65	39,5	10,5	26	M12	20	Black
475009302	94	65	39,5	10,5	26	M16	20	Black
475010301	108	75	44	12	30	M16	26	Black

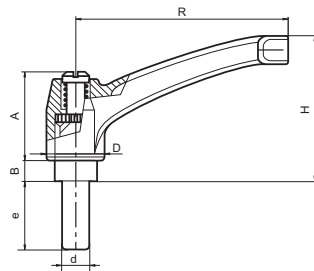
4750C INDEXED CLAMPING LEVER 4750 C WITH SS THREADED HOLE



Stainless steel insert with female threaded hole (AISI 303). Fixing screw (AISI 304). Spring (AISI 302).
Die Cast Zamak lever body, black RAL 9005.
For other threads and colours (orange RAL 2004, grey RAL 7031), please ask.

Code	R	H	A	B	D	d	e	Color
475004312	43	30	25	5	14	M5	9	Black
475004313	43	30	25	5	14	M6	9	Black
475006312	65	45	27	7	19	M6	10	Black
475006311	65	45	27	7	19	M8	10	Black
475008313	80	57	34	8	22	M8	14	Black
475008312	80	57	34	8	22	M10	13	Black
475008311	80	57	34	8	22	M12	12	Black
475009313	94	65	39,5	10,5	26	M12	20	Black

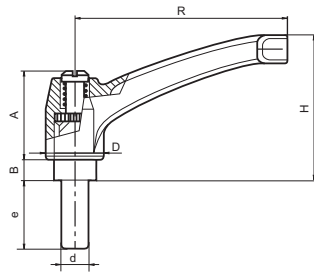
4750T INDEXED CLAMPING LEVER 4750 T WITH THREADED STUD



Black oxide treated steel insert with male threaded stud.
Die Cast Zamak lever body, black RAL 9005.
For other threads and colours (orange RAL 2004, grey RAL 7031), please ask.

Code	R	H	A	B	D	d	e	Color
475004505	43	30	25	5	14	M5	16	Black
475004508	43	30	25	5	14	M5	30	Black
475004509	43	30	25	5	14	M6	16	Black
475004511	43	30	25	5	14	M6	25	Black
475004513	43	30	25	5	14	M6	40	Black
475006512	65	45	27	7	19	M6	20	Black
475006514	65	45	27	7	19	M6	30	Black
475006502	65	45	27	7	19	M8	16	Black
475006501	65	45	27	7	19	M8	30	Black
475006508	65	45	27	7	19	M8	45	Black
475008501	80	57	34	8	22	M8	20	Black
475008505	80	57	34	8	22	M8	40	Black
475008507	80	57	34	8	22	M10	20	Black
475008511	80	57	34	8	22	M10	40	Black
475009517	94	65	39,5	10,5	26	M12	20	Black
475009503	94	65	39,5	10,5	26	M12	30	Black
475009507	94	65	39,5	10,5	26	M12	50	Black
475009515	94	65	39,5	10,5	26	M16	30	Black
475009501	94	65	39,5	10,5	26	M16	50	Black
475010501	108	75	44	12	30	M16	40	Black
475010502	108	75	44	12	30	M16	60	Black

4750T INDEXED CLAMPING LEVER 4750 T WITH SS THREADED STUD

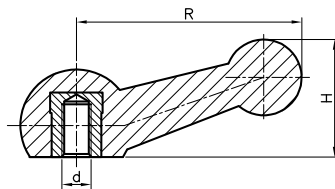


Stainless steel insert with threaded stud (AISI 303).
 Fixing screw (AISI 304). Spring (AISI 302).
 Die Cast Zamak lever body, black RAL 9005.
 For other threads and colours (orange RAL 2004,
 grey RAL 7031), please ask.
 *Please ask minimum quantities.

Code	R	H	A	B	D	d	e	Color
475004521	43	30	25	5	14	M5	16	Black
475004523	43	30	25	5	14	M5	30	Black
475004524	43	30	25	5	14	M6	16	Black
475004526	43	30	25	5	14	M6	30	Black
475006524	65	45	27	7	19	M8	16	Black
475006526	65	45	27	7	19	M8	30	Black
475008529	80	57	34	8	22	M10	20	Black
475008533	80	57	34	8	22	M10	40	Black
475008528	80	57	34	8	22	M12	20	Black
475008530	80	57	34	8	22	M12	50	Black
475009521	94	65	39,5	10,5	26	M12	30	Black
*475010522	108	75	44	12	30	M16	20	Black
*475010523	108	75	44	12	30	M16	50	Black

INOX
 Stainless
 Steel

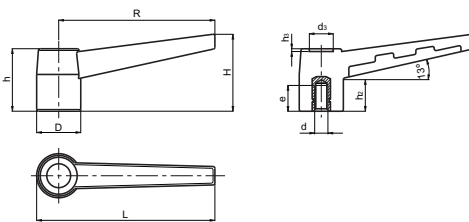
1130 BIBOLA FIXED LEVER



Treated steel insert.
 PA: Reinforced polyamide.

Code	R	H	d	Color
113008302	77	44	M10	Black

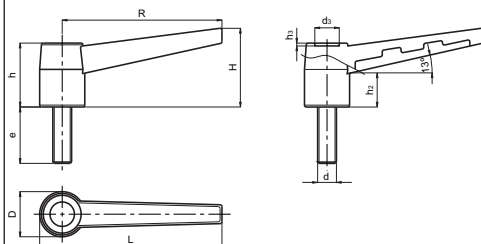
4751K FIXED LEVER 4751 K WITH THREADED INSERT



Brass insert .
 PA: Black reinforced polyamide.

Code	R	L	H	D	h	h2	h3	d3	d	e
475104301	43	50	21.5	15	19	9	1	7	M6	10
475106301	68	78	36	21	28.5	11	2	10	M8	15
475108301	83	93	40	24	34	18	2	13	M10	14

4751T FIXED LEVER 4751 T WITH THREADED STUD



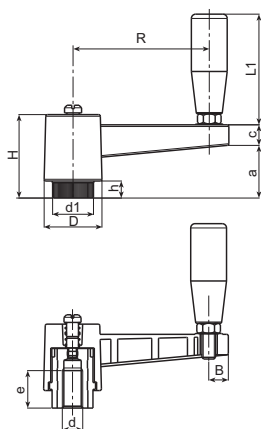
Treated steel stud.
 PA: Black reinforced polyamide.

Code	R	L	H	D	h	h2	h3	d3	d	e
475104501	43	50	21.5	15	19	9	1	7	M6	20
475104502	43	50	21.5	15	19	9	1	7	M6	40
475106501	68	78	36	21	28.5	11	2	10	M8	20
475106502	68	78	36	21	28.5	11	2	10	M8	40
475108501	83	93	40	24	34	18	2	13	M10	20
475108502	83	93	40	24	34	18	2	13	M10	40

4712 INDEXED CRANK HANDLE BTC G WITH SMOOTH HOLE AND REVOLVING HANDLE



Central blind treated smooth steel insert.
Side insert for the handle in brass.
PA: Reinforced polyamide.

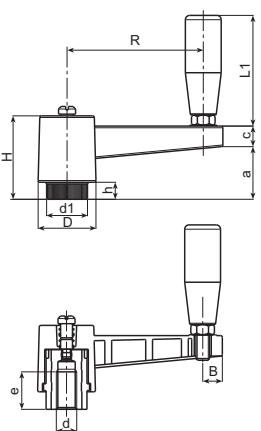


Code	R	H	h	d1	D	d	e	C	a	L1	B
471206301	65	46	10	19	27	8	22	13	29	56	11
471208301	80	50	10.5	24.5	34	8	23	13	33	66	12
471211301	110	50	11	24.5	34	8	28	14	33	66	13

4712K INDEXED CRANK HANDLE BTC K WITH THREADED INSERT AND REVOLVING HANDLE



Treated threaded steel insert.
Side insert for the handle in brass.
PA: Reinforced Polyamide.

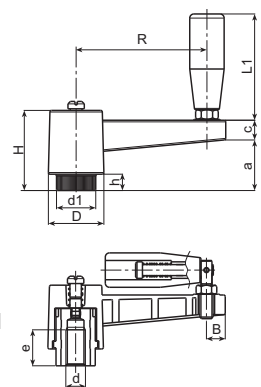


Code	R	H	h	d1	D	d	e	C	a	L1	B
471206331	65	46	10	19	27	M8	18	13	29	56	9
471206332	65	46	10	19	27	M10	17	13	29	56	9
471206333	65	46	10	19	27	M12	17	13	29	56	9
471208331	80	50	10.5	24	34	M12	22	13	32	66	11.5
471208332	80	50	10.5	24	34	M14	23	13	32	66	11.5
471208333	80	50	10.5	24	34	M16	20	13	32	66	11.5
471211331	110	50	11	24.5	34	M12	20	13	33	66	11.5
471211332	110	50	11	24.5	34	M14	20	13	33	66	11.5
471211333	110	50	11	24.5	34	M16	20	13	33	66	11.5

4714 INDEXED CRANK HANDLE BTC G WITH SMOOTH HOLE AND FOLD AWAY REVOLVING HANDLE



Central blind treated smooth steel insert.
Side insert for the handle in brass.
PA: Reinforced polyamide.

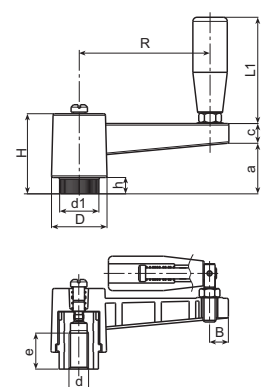


Code	R	H	h	d1	D	d	e	C	a	L1	B
471406381	65	46	10	19	27	8	22	13	29	54	9
471408381	80	50	10.5	24.5	34	8	24	13	32	75	11.5
471411381	110	50	11	24.5	34	8	28	13	32	75	11.5

4714K INDEXED CRANK HANDLE BTC K WITH THREADED INSERT AND FOLD AWAY REVOLVING HANDLE



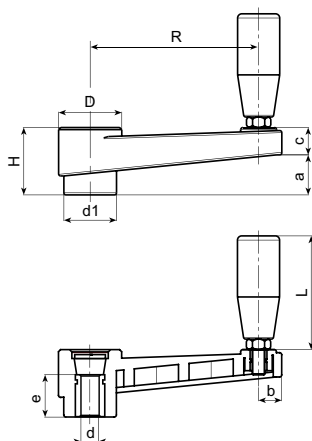
Treated threaded steel insert.
Side insert for the handle in brass.
PA: Reinforced Polyamide.



Code	R	H	h	d1	D	d	e	C	a	L1	B
471406331	65	46	10	19	27	M8	18	13	29	54	9
471406332	65	46	10	19	27	M10	17	13	29	54	9
471406333	65	46	10	19	27	M12	17	13	29	54	9
471408331	80	50	10.5	24.5	34	M12	22	13	32	75	11.5
471408332	80	50	10.5	24.5	34	M14	23	13	32	75	11.5
471408333	80	50	10.5	24.5	34	M16	20	13	32	75	11.5
471411331	110	50	11	24.5	34	M12	20	13	33	75	11.5
471411332	110	50	11	24.5	34	M14	20	13	33	75	11.5
471411333	110	50	11	24.5	34	M16	20	13	33	75	11.5

4715**CRANK HANDLE BTC H WITH SMOOTH INSERT AND REVOLVING HANDLE**

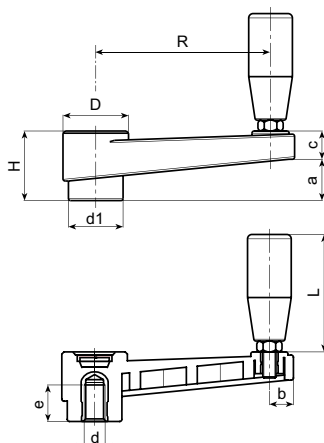
Central through hole treated smooth steel insert.
PA: Black reinforced polyamide.
Cap: Grey (RAL 7035).



Code	R	H	d1	D	d	e	c	a	L	b
471506301	65	30	22	27	5	20	13	17	56	9.5
471508301	80	33	26	30	5	24	13	19	56	11
471511301	110	39	29	33	5	28	14	22	66	12
471514301	140	49	35	41	5	30	16	34	76	13.5
471518301	185	55	40	45	5	34	16.5	40	86	14

4715K**CRANK HANDLE BTC K WITH THREADED INSERT AND REVOLVING HANDLE**

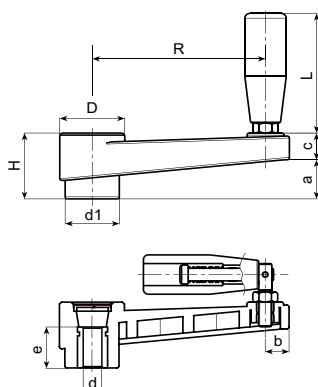
Threaded female brass insert.
* Treated threaded steel insert.
Side insert for the handle in brass.
PA: Black reinforced polyamide.
Cap: Grey (RAL 7035).



Code	R	H	d1	D	d	e	c	a	L	b
471506331	65	30	22	27	M8	15	13	17	56	9.5
471506332	65	30	22	27	M10	15	13	17	56	9.5
471506333	65	30	22	27	M12	18	13	17	56	9.5
471508331	80	33	26	30	M8	18	13	19	56	11
471508332	80	33	26	30	M10	18	13	19	56	11
471508333	80	33	26	30	M12	18	13	19	56	11
471511331	110	39	29	33	M10	14	14	25	65	12
471511332	110	39	29	33	M12	18	14	25	65	12
471511333	110	39	29	33	M14	18	14	25	65	12
471514331	140	49	35	41	M12	19	16	33	76	13.5
471514332	140	49	35	41	M14	18	16	33	76	13.5
*471514333	140	49	35	41	M16	18	16	33	76	13.5
471518331	185	55	40	45	M12	17	16.5	40	86	14
471518332	185	55	40	45	M14	19	16.5	40	86	14
*471518333	185	55	40	45	M16	18	16.5	40	86	14

4716**CRANK HANDLE BTC H WITH SMOOTH INSERT AND FOLD AWAY REVOLVING HANDLE**

Central through hole smooth treated steel insert.
PA: Black reinforced polyamide.
Cap: Grey (RAL 7035).

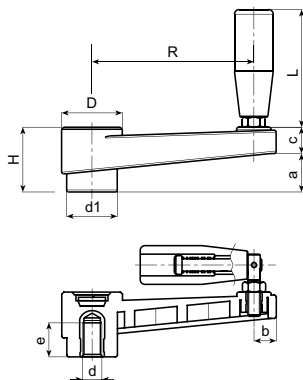


Code	R	H	d1	D	d	e	c	a	L	b
471606381	65	30	22	27	5	20	13	17	54	9.5
471608381	80	33	26	30	5	24	13	19	54	11
471611381	110	39	29	33	5	28	14	25	75	12
471614381	140	49	35	41	5	30	16	33	89	13.5
471618381	185	55	40	45	5	34	16.5	40	97	14

4716K CRANK HANDLE BTC K WITH THREADED INSERT AND FOLD AWAY REVOLVING HANDLE



Threaded female brass insert.
 * Treated threaded steel insert.
 PA: Black reinforced polyamide.
 Cap: Grey (RAL 7035).

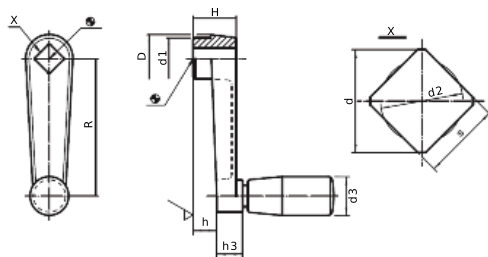


Code	R	H	d1	D	d	e	c	a	L	b
471606331	65	30	22	27	M8	15	13	17	54	9.5
471606332	65	30	22	27	M10	15	13	17	54	9.5
471606333	65	30	22	27	M12	18	13	17	54	9.5
471608331	80	33	26	30	M8	18	13	19	54	11
471608332	80	33	26	30	M10	18	13	19	54	11
471608333	80	33	26	30	M12	18	13	19	54	11
471611331	110	39	29	33	M10	16	14	25	75	12
471611332	110	39	29	33	M12	18	14	25	75	12
471611333	110	39	29	33	M14	18	14	25	75	12
471614331	140	49	35	41	M12	19	16	33	89	13.5
471614332	140	49	35	41	M14	18	16	33	89	13.5
*471614333	140	49	35	41	M16	18	16	33	89	13.5
471618331	185	55	40	45	M12	17	16.5	40	97	14
471618332	185	55	40	45	M14	19	16.5	40	97	14
*471618333	185	55	40	45	M16	18	16.5	40	97	14

3805 CRANK HANDLE WITH SQUARE HOLE AND ROTATING HANDLE

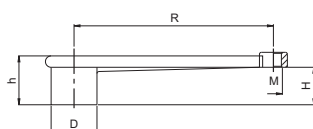


Square hole.
 Rotating cylindrical handle.
 Za: Zinc die-cast, plastic coated, black.
 AL: Aluminium, plastic coated, black.
 Cylindrical handle: Black Phenolic.
 Alternative to crank handles DIN 469.



Code	R	h	H	d1	d	s	d2	D	h3	d3	Material
380500420	50	10	18	16	10,1	8	8,4	18	10	14	Za
380500422	64	11	20	19	13.1	10	10.5	22	12	18	Za
380500424	80	14	24	23	13.1	10	10.5	26	14	21	Za
380500436	100	17	28	27	16.1	12	12.6	30	15	23	Za
380500414	125	22	34	32	18.1	14	14.7	35	18	26	AL
380500416	160	26	38	35	22.2	17	17.9	39	18	26	AL

3330 ALUMINIUM HANDLE DIN 469 F

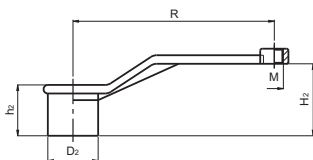


Code	R	H	h	D	M	Color
333012101	125	22	33	35	M10	Natural
333016101	160	25	40	40	M10	Natural
333020101	200	25	45	45	M12	Natural
333025101	250	28	48	48	M12	Natural



Without central hole
 AL: Aluminium.
 Threaded hole for handle.
 Recommended handles: 3310,3311,3312 or 3313. See page 86.
 Handles not included.

3332 ALUMINIUM HANDLE DIN 468 F

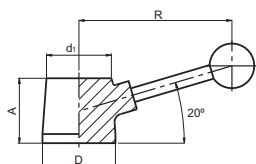


Code	R	H2	h2	D2	M	Color
333210101	100	48	28	28	M8	Natural
333212101	125	60	35	35	M10	Natural
333216101	160	70	40	40	M10	Natural
333220101	200	88	45	45	M12	Natural
333225101	250	95	48	48	M12	Natural



Without central hole
AL: Aluminium.
Threaded hole for handle.
Recommended handles: 3310,3311,3312 or 3313.
See page 86.
Handles not included.

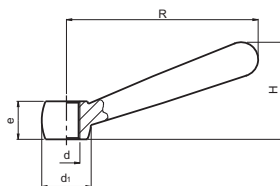
3338 CONNECTION LEVER SN-KG F



Code	R	D	A	d1	Color
333830101	80	30	23	21	Natural
333850101	120	50	40	40	Natural
333862101	150	63	40	50	Natural
333870101	175	70	45	56	Natural
333880101	190	80	50	66	Natural

Without hole
AL: Aluminium
Chromated steel lever and black duroplast ball.

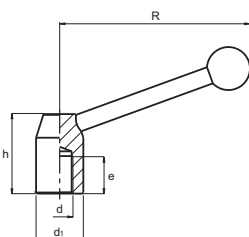
3740 DIN 99-N LEVER



Code	R	d	e	d1	H	Color
374000050	50	M6	9.5	12	24	Blackened
374000063	63	M8	12.5	16	30.5	Blackened
374000080	80	M10	15	20	38	Blackened
374000100	100	M12	19	25	47	Blackened
374000125	125	M16	25	32	59.5	Blackened
374000160	160	M20	31	40	75.7	Blackened
374000200	200	M24	41	50	97	Blackened

Threaded through hole.
FE: Steel blackened.
If you need in stainless steel, please ask.

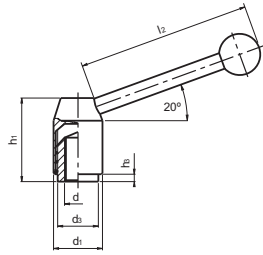
3743 FIXED CLAMPING LEVERS C WITH BALL KNOB



Code	d1	R	h	d	e	Color
374320301	20	72	33	M8	15	Blackened
374322301	22	85	37	M10	15	Blackened
374328301	28	115	47	M12	18	Blackened
374336301	36	145	58	M16	24	Blackened
374345301	45	180	71	M20	30	Blackened

Female thread.
FE: Blackened steel. Black Duroplast ball knob.

3744 ADJUSTABLE CLAMPING LEVERS C WITH BALL KNOB

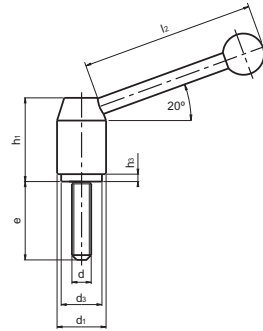


Code	d1	d3	h3	h1	l2	d	Color
374421301	21	13.5	1	33	70	M8	Blackened
374424301	24	16	2.5	40	96	M10	Blackened
374428301	28	19	4.5	48	110	M12	Blackened
374433301	33	23	6	55	124	M16	Blackened
374440301	40	30	6	68	138	M20	Blackened

Female thread.

FE: Blackened steel. Black Duroplast ball knob.

3744T ADJUSTABLE CLAMPING LEVERS T WITH BALL KNOB



Code	d1	d3	h3	h1	l2	d	e	Color
374421501	21	13.5	1	33.5	70	M8	32	Blackened
374424501	24	16	2.5	40	96	M10	40	Blackened
374428501	28	19	4.5	48.5	110	M12	50	Blackened
374433501	33	23	6	55	124	M16	63	Blackened
374440501	40	30	6	68	138	M20	80	Blackened

Threaded stud.

FE: Blackened steel. Black Duroplast ball knob.